




PART# 57600-CR - 30 GALLON

SAFETY PRECAUTIONS

- ALWAYS WEAR EYE PROTECTION, GLOVES AND LONG SLEEVES WHEN OPERATING.
- NEVER IGNITE THE PROPANE TORCH WHEN IT IS INSERTED INTO THE HEAT CHAMBER.
- NEVER INSERT AN IGNITED TORCH INTO AN EMPTY MELTER.
- ALWAYS OPERATE THE MINI MELTER AT LEAST SIX FEET AWAY FROM ANY COMBUSTIBLE MATERIAL.
- TO AVOID FLASHING OF THE MATERIAL, NEVER ALLOW THE MATERIAL TO REACH A TEMPERATURE OVER 400°F. IF FLASHING OCCURS, CLOSE THE LID IMMEDIATELY AND EXTINGUISH WITH A CLASS B FIRE EXTINGUISHER. NEVER USE WATER.
- READ AND FOLLOW OPERATOR INSTRUCTIONS. FAILURE TO DO SO COULD RESULT IN INJURY OR DEATH.
- CALIFORNIA PROPOSITION 65 - The state of California currently maintains a list of chemicals that can cause cancer, birth defects or other reproductive harm. Your Crafco, Inc. equipment comes with the following warnings:

 **WARNING:** Cancer and Reproductive Harm - www.P65Warnings.ca.gov
26471N

OPERATOR INSTRUCTIONS

- 1.) Add 3 - 4 blocks of Crafco sealant. Remove the block of sealant and the plastic bag from cardboard box. The plastic bag will melt and combine with the sealant when it is heated and agitated.
- 2.) Close the propane regulator and open the needle valve at the inlet of the torch. Open the valve on the top of the propane tank. Set the propane regulator to a pressure between 8 to 12 psi. Use the striker provided to ignite the end of the torch. Throttle back the needle valve to get a strong flame.
- 3.) Insert the torch tab into the mounting slot, slide torch in until it is 1 ½" to 2 ½" away from the heating chamber. If the torch flame is smothered while in the heating chamber, remove and allow any unburned propane to vent before inserting an ignited torch.
- 4.) After a few minutes, the material tank will heat up and the sealant will begin melting. Once it is melted to the manufacturers recommended application temperature it is ready to use. Do not exceed the safe heating temperature.
- 5.) Using the material valve, pour out the desired amount of sealant. Continue to let the torch burn during operation, and add sealant as needed.
- 6.) Be sure to agitate the sealant frequently during the entire operation. Agitating will increase the melting rate and keep any un-melted portion of plastic bag away from the material valve.
- 7.) Be sure all vent holes are kept unobstructed during operation. If covered it may affect the burner operation.
- 8.) When finished remove the torch from the heat chamber and close all propane valves.
- 9.) Day to day it is not necessary to drain the melter completely. However, the less material left in the melter, the easier the start up will be the next time. Every 10 or so uses, the tank should be cleaned out to prevent old material from building up and eventually effecting heat up performance and blocking of the material valve.
- 10.) Always cover the melter when being stored to prevent water from getting into the material tank. Be sure the melter has cooled properly before covering.

Mini Melter 30 SPECIFICATIONS

OVERALL DIMENSIONS – 56.75" L X 37.375" H X 23.25" W

SHIPPING WEIGHT – 195 LBS.

CAPACITY – 30 GALLONS

TROUBLESHOOTING

- 1.) If sealant isn't flowing when opening the material valve, check or perform the following:
 - a. The material needs to be at the proper application temperature. Continue to heat until material is hot enough.
 - b. The material valve area needs to be at the proper application temperature. Continue to heat until area is hot enough.
 - c. If the tank hasn't been cleaned out after many uses or the sealant was overheated, then "coked" sealant has probably built up inside the tank, as well as in and around the material valve. The tank will need to be drained of liquid sealant, and then scraped out removing all of the hard chunks of "coked" sealant until you get down to the steel material inside the tank. The area inside the material valve and just before the material valve will need to be cleaned out as well. The built up sealant can easily block the flow as well as increase heat up times.
 - d. If the material valve was heated externally too many times, or at too high of a temperature, the material can be "coked" inside the material valve. The material valve will need to be opened and cleaned out of all material. **MAKE SURE ALL LIQUID SEALANT IS REMOVED BEFORE CLEANING THE MATERIAL VALVE, AND MAKE SURE ALL SAFETY EQUIPMENT IS BEING WORN.**

- 2.) If the material valve is locked or not opening, check or perform the following:
 - a. The material in the valve needs to be warmed to application temperature. Continue to heat until material is hot enough.
 - b. Clean and/or open the vent ring around the material valve. There should be no obstructions so an even amount of heat can come out around the material valve.

- 3.) If the torch flame isn't producing a strong flame, check or perform the following:
 - a. Check the propane tank level, and make sure the regulator is set to the correct pressure, as mentioned in step #2 above in the Operator Instructions.
 - b. Check to make sure the needle valve on the torch is open far enough to create a strong flame.
 - c. Check to make sure the nozzle inside the flame cup isn't damaged or obstructed.
 - d. Check to make sure all connections on the torch are tight, and not leaking, including the nozzle inside the flame cup, and all hose fittings.
 - e. Once the torch is inserted into the melter, the flame should be just as strong. You may need to adjust the position of the torch by pulling it away from the melter.
 - f. Check to make sure all of the vent holes on the melter are free from obstruction. If any are blocked or partially blocked, performance will suffer. Open and/or clean all of the vent holes.
 - g. Clean and/or open the vent ring around the spout. There should be an even amount of heat coming out around the spout.

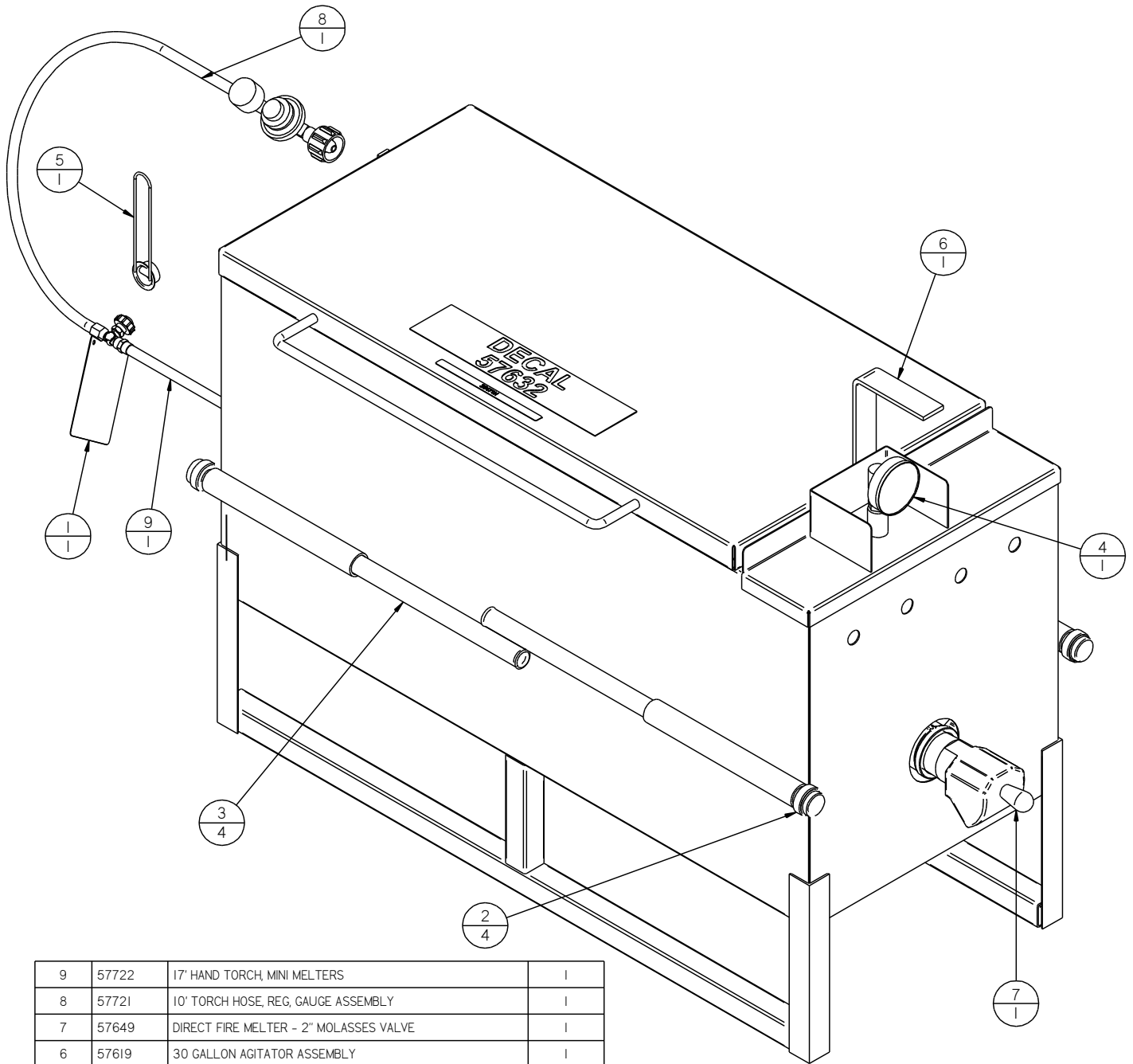
WARRANTY & LIABILITY INFORMATION

Crafco, Inc. only warrants that this product conforms to Crafco, Inc. specifications at the time of delivery. Crafco, Inc. assumes no liability for an accident or injury incurred through improper use of the machine.

For Warranty:
Crafco, Inc.
25527 South Arizona Avenue, Chandler, AZ 85248
Phone: (480) 655-8333 or (800) 528-8242
Fax: (480) 655-1712

For all other inquiries:
Crafco, Inc.
6165 W. Detroit Street, Chandler, AZ 85226
Phone: (602) 276-0406 or (800) 528-8242
Fax: (480) 961-0513
CustomerService@crafco.com

REPLACEMENT PART LIST



| | | | |
|-------------|-----------------|--|----------|
| 9 | 57722 | 17" HAND TORCH, MINI MELTERS | 1 |
| 8 | 57721 | 10' TORCH HOSE, REG. GAUGE ASSEMBLY | 1 |
| 7 | 57649 | DIRECT FIRE MELTER - 2" MOLASSES VALVE | 1 |
| 6 | 57619 | 30 GALLON AGITATOR ASSEMBLY | 1 |
| 5 | 57595 | DIRECT FIRE MELTER - TORCH STRIKER | 1 |
| 4 | 57587 | BOTTOM MOUNT THERMOMETER | 1 |
| 3 | 29687 | 30 GALLON HANDLE ASSEMBLY | 4 |
| 2 | 28269 | 3/4" PIPE CAP, GALVANIZED | 4 |
| 1 | 25045 | TORCH INSTRUCTIONS DECAL | 1 |
| Item Number | Document Number | Title | Quantity |