



**DIESEL MELTER**

PART MANUAL - 26603  
REV. C

## Revisions

Rev. B 3/2012

Updated manual to reflect full recirculation and all changes associated.

Rev. C 4/1/2014

Updated hydraulic schematics and some graphics.



*E - Z500 Series II*  
*D I E S E L M E L T E R*



# TABLE OF CONTENTS

EZ500 Series II Diesel Melter.....	5
Safety Precautions.....	6-7
Limited Warranty.....	7
Warranty Claim Instructions.....	8
Specifications.....	9
Introduction.....	10
Operating Instructions	
Machine Start Up - Electric Hose.....	11-15
Machine Startup - Standard Hose.....	16-18
Air Compressor (OPTION).....	19
Storing Machine.....	20
Instructions For Ordering Parts.....	20
Maintenance	
Maintenance Instructions.....	21-22
Replacing Heat Transfer Oil.....	22
Maintenance Chart/Service Instructions.....	23
Recommended Fluids and Lubricants/Typical Specifications.....	24
Trouble Shooting	
Trouble Shooting Guide - Hose Does Not Heat.....	25-27
Hose Circuit Diagram.....	26,28
Trouble Shooting Guide - Material Does Not Dispense When Pump is Activated...	27
Hose Circuit Diagram.....	26,28
Trouble Shooting Guide - Pump Rotates But No Material is Discharged.....	29
Trouble Shooting Guide - Material Dispensing Rate is Too Slow.....	29
RTD Sensor - Ohms vs. Temperature.....	30
Diesel Burner Adjustments/Diesel Burner Settings.....	31
Burner Schematic.....	32
Burner Trouble Shooting.....	33
Pump Section Packing Instructions.....	34
Hydraulic Schematic.....	36
Trouble Shooting Hydraulic.....	37
Parts	
EZ500 Diesel Melter Diagrams and Parts.....	38-41
EZ 500 Series II melter Options.....	42-43
Tank Detail Diagram and Parts.....	44-45
Plumbing.....	46-47
Control Box Diagram and Parts - Electric Hose.....	48-51
Control Box Diagram and Parts - Standard Hose.....	52-55
Engine Assembly Diagram and Parts - 27.5 HP.....	56-57
Engine Assembly Diagram and Parts - 41.6 HP.....	58-59
Engine Assembly Diagram and Parts - 35.5 HP.....	60-61
Hydraulic Control Valve Diagram and Parts.....	62-63
Compressor Valve Assembly.....	64-65
Diesel Burner Diagram and Parts.....	66-67
Material Pump Assembly.....	68-69
Compressor Assembly.....	70-71
Hydraulic Diagram and Parts w/o Compressor.....	72-75
Hydraulic Diagram and Parts w/ 53 CFM Compressor.....	76-81
Electrical Schematic - Electric Hose.....	82-83
Electrical Schematic - Standard Hose.....	84-85
Hot Air Lance (OPTION).....	86-87
Tools and Accessories.....	88-90

## *E - Z500 Series II* **DIESEL MELTER**

This manual is furnished with each new **CRAFCO E - Z500 Series II DIESEL MELTER**. This manual will help your machine operators learn to run the melter applicator properly and understand its mechanical functions for trouble-free operation.

Your **CRAFCO E - Z500 Series II DIESEL MELTER** is designed to give excellent service and save maintenance expense. However, as with all specially engineered equipment, you can get best results at minimum costs if:

1. You operate your machine as instructed in this manual.
2. Maintain your machine regularly as stated in this manual.



**WARNING:** The engine exhaust from this product contains chemicals known to the State of California to cause cancer, birth defects or other reproductive harm. Operate in well ventilated area only. Engine exhaust is deadly.



# SAFETY PRECAUTIONS

- High operating temperatures of sealant and machine require protective clothing, hard-soled shoes and heat resistant gloves to be worn by operator.

- Always wear eye protection.



- Observe all **CAUTION AND WARNING** signs posted on machine.



- Avoid the entrance of water into any part of the machine. Water will displace heat transfer oil or sealant, which could be hazardous to personnel surrounding the machine when it reaches operating temperatures.

- Avoid bodily contact with hot sealant material or heat transfer oil, serious burns may result.

- Read Operator Manual thoroughly before operating machine.

- Make sure operator is familiar with machine operation.

- Do not operate in closed building or confined areas.

- Shut-down burner and engine prior to refilling diesel tank.

- When adding solid material to sealant tank, stop mixer, lift lid, place material onto lid and close lid before restarting mixer. Hot material could splash and cause serious burns if this procedure is not followed.

- Keep hands, feet, and clothing away from all moving parts.

- Always keep a fire extinguisher near the unit. Maintain extinguisher properly and be familiar with its use.



- **DO NOT** exceed 525° F for heat transfer oil temperature.

- **DO NOT** overfill heat transfer oil level. Expansion of oil during heat up could cause overflow. With machine in level position, check oil each day before starting burner, add oil to top mark on dipstick if required (at 70° F.). **Use only recommended heat transfer oil and change after 500 hours of operation or one year, whichever occurs first.**

- Follow operating instructions for starting and shut-down of burner. See Operating Instructions.

- Calibrate temperature control prior to initial operation and each 50 hours of operation. See Temperature Control Calibration.

# SAFETY PRECAUTIONS

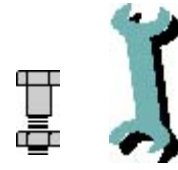
- Replace any hoses which show signs of wear, fraying, or splitting. Be sure all fittings and joints are tight and leak-proof, each time machine is used.

- Precaution is the best insurance against accidents.

- The melter should not be left unattended with burner lit.

- Tighten all bolts and screws after every 100 hours of operation.

- Crafco, Inc. assumes no liability for an accident or injury incurred through improper use of the machine.



# LIMITED WARRANTY

Crafco, Inc., through Crafco or one of it's affiliated distributor, will replace for the original purchaser free of charge any parts found upon examination by the factory at Chandler, Arizona, to be defective in material or workmanship. This warranty is for a period one year from in-service date, but excludes engine or components, tires, and battery as these items are subject to warranties issued by their manufacturers.

Crafco, Inc. shall not be liable for parts that have been damaged by accident, alteration, abuse, improper lubrication/maintenance, normal wear, or other cause beyond our control.

The warranty provided herein extends only to the repair and/or replacement of those components on the equipment covered above and does not cover labor costs. The warranty does not extend to incidental or consequential damages incurred as a result of any defect covered by this warranty.

All transportation and labor costs incurred by the purchaser in submitting or repairing covered components must be borne by the purchaser. Crafco, Inc. specifically disavows any other representation, warranty, or liability related to the condition or use of the product.



## **WARNING:**

Use of replacement parts other than genuine Crafco parts may impair the safety or reliability of your equipment and nullifies any warranty.

# WARRANTY CLAIM INSTRUCTIONS

Crafco, Inc., warrants parts and machinery purchased through Crafco or one of its affiliated distributors for one year from purchased or inservice date \*\*. If a parts fail to function within the first year of purchase, a return authorization number (RA) must be obtained. If the part was purchased through Crafo, Inc., please contact the Crafco returns department at Returns@Crafco.com for a RA number or if purchased through a Crafco distributor please contact your distributor. Note: if the part has a serial number associated with it, for example; a machine or electric hose or wand, this must be furnished when requesting the RA number. The customer will be emailed or faxed a RA form with all insrtuctions to return the item to Crafco, Inc. See example. If the part is found to be within the one year warranty period and has not been abused or modified, a credit will be issued to the customers account or credit card. The customer may request the part be replaced instead of a credit, if desired.

\*\* Wear items are not covered under Crafco, Inc. limited warranty. A wear item is defined as but not limited to: material pumps, sealing tips, tires, etc.

Note: All engine warranties are covered through the engine manufacture. If you need information for a distributor in your area please contact us and we will direct you to the closest engine distributor.

\*\*\*\* All parts returned are tested and evaluated. If the part has been modified in anyway without prior consent from Crafco, Inc. representative, warranty is void.

Please follow the instructions stated below when calling in a Warranty Claim. Failure to follow these procedures may be cause to void the warr

1. Call your local Crafco Distributor. If you do not know who your local distributor is, call a Crafco Customer Service Representative, (Toll Free 1-800-528-8242) for name, location, and telephone number.
2. On contacting the distributor, be prepared to identify the serial number, model number, engine model, engine manufacturer, and the date of purchase if available.
3. Should the cause of the malfunction be a defective part, the Distributor will advise you of the procedure to follow for a replacement.
4. The warranty is valid only for parts, which have been supplied or recommended by Crafco, Inc.

If you have any additional questions regarding warranty repairs and parts, please do not hesitate to call toll free 1-800-528-8242.

## CONTACT US

For Warranty:

Crafco, Inc.

25527 S. Arizona Avenue

Chandler, AZ 85248

Phone: (480)655-8333 or (800) 528-8242

Fax: (480) 655-1712

For all other inquiries:

Crafco, Inc.

420 North Roosevelt Avenue

Chandler, AZ 85226

Phone: (602) 276-0406 or (800) 528-8242

Fax: (480) 961-0513



# SPECIFICATIONS

Vat Capacity.....	133 Gallons(500 Liters)
Melt Capacity.....	110 Gallons/Hour
Heat Transfer Oil Required.....	21.5 Gallons at 70° F
Tank Construction.....	Double Boiler Type
Tank Opening Size.....	14" X 18"
Maximum Heat Input.....	250,000 BTU's
Burner and Temperature Control.....	Diesel-Forced Air Thermostatic Control
Engine - Standard.....	Isuzu Three Cylinder Model 3CB1 - Diesel 27.5 BHP @ 3600 RPM
Engine - Compressor, Electric Hose (OPTION).....	Isuzu Three Cylinder Model 3CD1TK - Diesel 41.6 BHP @ 2800 RPM
Engine - Compressor, Non Heated Hose (OPTION).....	Isuzu Three Cylinder Model 3CE1 - Diesel 35.5 BHP @ 2800 RPM
Hydraulic Drive Mechanism.....	All hydraulic with infinite speed on mixer and material pump.
Mixer.....	Full sweep mixer with two horizontal paddles vertical risers.
Axle.....	Dual -5,200 Lb. Torsional
Tires (4).....	ST225/75R15 Load Range D
Dry Weight.....	Approximately 4,161 Lbs.
Diesel Tank Capacity.....	30 Gallons
Hydraulic Tank Capacity.....	26 Gallons
Compressor (OPTION).....	Mattei MC 86 E Rotary Vane

# *E - Z500 Series II* DIESEL MELTER OPERATING INSTRUCTIONS

## INTRODUCTION

The **CRAFCO *E Z500 Series II* MELTER** was developed to melt Crafcoc brand sealant. However, it will work well with most road asphalt and federal specification crack or joint sealant.

**DO NOT** operate machine without following these instructions:

1. Fill fuel tank with diesel fuel (use #1 in cold weather, #2 in warm weather).
2. Check engine crankcase oil level (refer to Engine Operator's Manual).
3. Check hydraulic fluid level, at 70°F. Add fluid if necessary.
4. Check heat transfer oil level, at 70°F., the oil should be at the full mark on the dipstick. **DO NOT** overfill or spillage may occur when oil is heated and expands.
5. All toggle switches should be turned "**OFF**" and all temperature control dials at minimum settings.
6. Remember that safe operation of this equipment is the operator's responsibility.



### **CAUTION:**

Extreme care must be used when operating this equipment. Safety is the result of being careful and paying attention to details. Remember the diesel flame is about 2,200°F. Certain exposed parts of this machine when operating reach 500°F.; the sealant as high as 400°F. and the hydraulic fluid may reach 200°F. Always wear protective clothing, hard-soled shoes, and eye protection. Be sure that all joints and fittings are tight and leak proof. Immediately replace any hose which shows any signs of wear, fraying, or splitting. Tighten all bolts, nuts, and screws every 250 hours.

# MACHINE START UP for ELECTRIC HOSE

## TO START BURNER

1. Fully open the damper vent.
2. Start engine per Engine Manual.
3. Turn "POWER" toggle switch at control box "ON".
4. Turn "Hose Selector" switch to "ELECTRIC Hose".  
**NOTE:** Electric hose will only work if hose selector switch is in the electric hose position.
5. Set hot oil temperature at 500°F. and material temperature at manufacturers recommended temperature.



### **CAUTION:**

If burner does not ignite the first time, turn toggle switch to "OFF." Turn toggle switch to "ON" again. Burner should ignite. If burner still does not ignite, determine cause of malfunction (see Trouble Shooting Guide Pg. 33-34).

- NOTE:** The solid material in the tank melts first around the walls and bottom of the material tank. Material temperature sensor is located by the wall; therefore, it is possible that at the beginning of the melting process the indicated temperature reaches operating value. This is normal and when the heated hose is ready for operation, most of the material in the tank will be melted and heated to application temperature.
6. Allow the heating oil to continue to heat. When sealant material reaches 275°F. mixer may be engaged by turning the toggle switch inside the control box "ON". If the mixer does not move, allow the material to heat longer. Jamming of mixer causes hydraulic oil to overheat and machine damage could occur. **NOTE: Mixer speed is preset at the factory and cannot be adjusted. Mixer temperature interlock will not allow mixer to engage until material reaches 275°F.**
  7. Hose heating element will automatically turn "ON" when material temperature reaches approximately 275°F. See Operating Instructions. Adjust the temperature dial to sealant manufacturers recommended application temperature. The hose will come up to temperature in approximately 30 minutes. After the hose is hot, the light in the control box marked "heated hose" will turn off indicating the hose is up to temperature. It is advisable to run the hose at the sealant manufactures recommended temperature setting.  
**NOTE!! The hose must be up to 325°F. before dispensing can take place. The pump light will come on indicating the temperature interlock will allow pump operation.**
  8. The oven must be at 300° for a minimum of 20 minutes before attempting to pump. The temperature in the oven can be regulated by opening or closing the slide gate on the right hand side. To increase temperature, open the gate and to decrease temperature close the slide gate.

# MACHINE START UP for ELECTRIC HOSE

9. Remove hose and wand from transport position and place wand tip in shoebox. When sealant reaches correct application temperature, open "TANK VALVE", "RECIRCULATION VALVE", and close "APPLICATOR VALVE". Reverse pump for 3-5 minutes by turning the toggle switch on the main control panel to "PUMP REVERSE". When pump turns freely, return toggle switch to "ON ELECTRIC". Depress wand trigger to recirculate material back into tank to get material flowing freely through the pump.

10. When application of sealant is desired, close "RECIRCULATION VALVE" and open "APPLICATOR VALVE". Set pump flow at minimum to start pumping, Then depress wand trigger to engage the material pump. Increase pump flow to desired output by turning knob counterclockwise on flow control valve located above main control panel. **Caution: Never open flow control more than 2 full turns when using an electric hose.** The hot oil temperature should be increased to 500°F and material temperature to manufacturers recommended application temperature at this time. **NOTE: If hose does not dispense when trigger is depressed then allow material to heat longer. If hose still does not dispense material then shut machine down and locate plug in the line and remove.**

11. The heated hose supplied with the machine is Teflon lined with steel over braid. It has a heating element, which runs down the hose to heat the material within the hose. The hose is covered with high temperature, durable rubber hose. The wand has an aluminum tube to protect both the wand and the operator. The pistol grip actuator is equipped with an electric switch which when depressed sends a signal to actuate the pump. At the end of the wand, a high temperature elastomeric output valve is attached. The valve is pressure actuated and opens automatically when fluid pressure is applied.



## ELECTRIC HOSE CARE AND CAUTIONS



Twisting and kinking of the electric hose (used on BAX, SS60, SS125, SS250, and EZ Series II Melters) is the number one cause of hose failure.

When this happens, the electric heating wires are shorted out to the metal hose cover and the hose stops heating.

**This type of failure is not covered under the Crafcro warranty.**

To help prevent twisting and kinking and the resulting hose damage, the operator should:

- a. Not move or use hose unless it has been turned on at least 30 minutes and set at a minimum temperature of 300°F.
- b. Make sure hose swivel between hose and wand moves freely.
- c. Avoid bending the hose over sharp edges such as the edge of the frame or tank.
- d. Avoid twisting.
- e. Do not exceed 400°F. on the hose or material temperature.

# HOSE TRANSPORT INSTRUCTIONS

1. Leaving the hose in the boom, swing the boom towards the front of the machine and lock the boom into position with the latch provided.
2. Place the wand in the wand holder and lock the wand into position with the latch provided.

## LOADING THE MACHINE

This unit is equipped with an safety interlock system on each loading door. This sytem disables the mixer hydraulic system when either lid is open. This system is for operator safety and should never be diabled for any reason. **CAUTION: Personal injury could occur if this safety system is disabled.**

1. To load, open the lid fully.
2. Place the material on the center of the lid.
3. Close the lid allowing material to fall into tank. Mixer should engage when lid is closed.

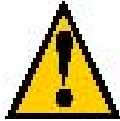
Following this procedure will prevent the hot material from splashing and causing serious burns to personnel. **WARNING:** Never throw blocks of material directly into tank. Hot material splash hazard will result.

The solid material must be added at intervals, which will allow the mixer to rotate without jamming. If blocks of material are fed in too quickly, jamming could result and slow down the melting process.

All material being added to the tank shall be free and clear of all rock, dirt, or other contaminants that will damage material pump.



## DISPENSING THE MATERIAL



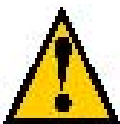
**NOTE: PROTECTIVE CLOTHING, GLOVES, HARD-SOLED SHOES, AND FACE SHIELD OR SAFETY GLASSES SHOULD BE WORN WHEN OPERATING OR FILLING THIS EQUIPMENT. READ ENTIRE MANUAL BEFORE OPERATING.**

The wand is equipped with a disposable duckbill valve on the end, which shuts off the flow of material when the pump is turned off and prevents excessive dripping of material. This valve also directs the material into a stream for easy application into the crack. Other sealing tips are available. For all accessories, and tools see pages 88-90.

Some difficulty may be encountered when starting up on cold days. Although the wand is designed to heat the material all the way down to the tip, on cold days it may be necessary to place the tip of the wand in the shoe box to facilitate material melting in the valve.

When the material and the hose have reached proper application temperature, you are ready to dispense material. Turn the pump flow control to the lowest setting by turning the speed control knob fully clockwise. With the wand tip inserted into the shoebox, depress trigger on the wand and slowly increase pump speed by turning the speed control knob counterclockwise until the pump motor starts to turn. Material should start to flow from the tip of the duckbill valve. Adjust the pump speed for the desired rate of flow for the application and dispense material as required. The rate of flow may be varied while the pump is running by rotating the control knob. **Caution: Never open flow control more than 2 full turns when using an electric hose.**

It may be necessary to use the recirculation with the electric hose anytime the machine is not going to be used for more than 5-10 minutes when the ambient temperature is below 40°F or when not being used for 20-30 minutes in warmer weather. This is critical after material is up to operating temperature and the burner is running intermittently, the oven will cool and all material in the plumbing and the material pump will solidify. The only way to get the oven hot enough to start pumping again is to load several boxes of cold sealant into the machine to lower the material temperature enough to get the burner to ignite, this may not be an option if the tank is already full of material.



**NEVER POINT THE WAND AT ANY PART OF THE BODY OR AT ANY OTHER PERSON. HOT MATERIALS CAN CAUSE SEVERE BURNS. WEAR PROTECTIVE EQUIPMENT WHEN FILLING OR OPERATING THE EQUIPMENT. READ MANUAL BEFORE OPERATING EQUIPMENT.**



# SHUTDOWN AND CLEAN-OUT PROCEDURE

When shutting down the machine for the day, there are several schools of thought about how much material to leave in the machine. Crafc0 recommends leaving the melter about half full. This will give a fairly rapid heat up rate in the morning, but will allow enough material to start dispensing right away when the material becomes molten.

1. Leaving the hose in the boom, swing the boom towards the front of the machine and lock the boom into position with the latch provided.
2. Place the wand in the wand holder and lock the wand into position with the latch provided.
3. Reverse the pump while removing tip adapter and/or duckbill. Continue to reverse for approximately 30 more seconds.
4. Close the "APPLICATOR VALVE" and "TANK VALVE"
5. Turn the mixer toggle switch to "**OFF**".
6. Turn the "**POWER**" switch to "**OFF**".
7. Shut the engine down by turning the key to the "OFF" position.

# MACHINE START UP for STANDARD HOSE

## TO START BURNER

1. Fully open the damper vent.
2. Start engine per Engine Manual.
3. Turn "POWER" toggle switch at control box "ON".
4. Turn "Hose Selector" switch to "STD. Hose" .
5. Set hot oil temperature at 450°F. and material temperature 350°.



### **CAUTION:**

If burner does not ignite the first time, turn toggle switch to "OFF." Turn toggle switch to "ON" again. Burner should ignite. If burner still does not ignite, determine cause of malfunction (see Trouble Shooting Guide Pg. 33-34).

**NOTE:** The solid material in the tank melts first around the walls and bottom of the material tank. Material temperature sensor is located by the wall; therefore, it is possible that at the beginning of the melting process the indicated temperature reaches operating value. This is normal and when the machine is ready for operation, most of the material in the tank will be melted and heated to application temperature.

6. Allow the heating oil to continue to heat. When sealant material reaches 275°F. mixer may be engaged by turning the toggle switch at main control panel "ON". If the mixer does not move, allow the material to heat longer. Jamming of mixer causes hydraulic oil to overheat and machine damage could occur. **NOTE: Mixer speed is preset at the factory and cannot be adjusted. Mixer temperature interlock will not allow mixer to engage until material reaches 275°F.**

7. The pump light will come on indicating the temperature interlock will allow pump operation when material temperature reaches approximately 275°F. **Note: Temperature gauge will not read properly until the sealant is being pumped.**

8. The oven must be at 300° for a minimum of 20 minutes before attempting to pump. The temperature in the oven can be regulated by opening or closing the slide gate on the right hand side. To increase temperature, open the gate and to decrease temperature close the slide gate.

9. When sealant reaches 325°, open "TANK VALVE", "RECIRCULATION VALVE", and close "APPLICATOR VALVE". Reverse pump for 3-5 minutes by engaging the toggle switch on the main control box to "PUMP REVERSE" When pump turns freely, engage toggle switch to "ON STANDARD". This circulates material back into the tank.

10. When application of sealant is desired, remove hose from heat compartment and connect to wand assembly (Hand tight only). Insert wand tip fully into shoebox with hand wand valve "open" position.

11. Open the "APPLICATOR VALVE".



12. Close “Recirculation Valve”. **Important:** Adjust the flow control valve to get close to the desired flow from the applicator wand then close “Recirculation Valve” to get to the desired flow. This method of operation will give maximum pump life. If the sealant does not flow from the applicator wand, close hand wand valve and placed hose and hand wand back in the oven to allow the sealant to become more liquid, then repeat procedure. Once sealant is flowing freely, reverse pump and install desired sealing tip and you are ready to begin sealing. **Caution: Extreme care should be taken when changing or installing sealing tips. Always engage pump reverse if sealant is hot. Hot sealant can cause severe skin burns.**

## LOADING THE MACHINE

This unit is equipped with an safety interlock system on each loading door. This sytem disables the mixer hydraulic system when either lid is open. This system is for operator safety and should never be disabled for any reason. **CAUTION: Personal injury could occur if this safety system is disabled.**

1. To load, open the lid fully.
2. Place the material on the center of the lid.
3. Close the lid allowing material to fall into tank. Mixer should engage when lid is closed.

Following this procedure will prevent the hot material from splashing and causing serious burns to personnel. **WARNING:** Never throw blocks of material directly into tank. Hot material splash hazard will result.

The solid material must be added at intervals, which will allow the mixer to rotate without jamming. If blocks of material are fed in too quickly, jamming could result and slow down the melting process.

All material being added to the tank shall be free and clear of all rock, dirt, or other contaminants that will damage material pump.

**Note: Pumping Temperature (Hose Temperature) gauge will not read properly until the sealant is being pumped.**

# SHUTDOWN AND CLEAN-OUT PROCEDURE

When shutting down the machine for the day, there are several schools of thought about how much material to leave in the machine. CrafcO recommends leaving the melter about half full. This will give a fairly rapid heat up rate in the morning, but will allow enough material to start dispensing right away when the material becomes molten.

1. Reverse the pump for one to three minutes.
2. Close the tank valve.
3. Turn the mixer, pump, and power toggle switches "OFF".
4. Remove wand from hose and place into wand storage port in oven.
5. Remove hose from boom and wrap on hose hanger located in the oven.

**CAUTION:** When wrapping hose ensure hose does not contact the tank wall, plumbing, or the heat damper. These areas can be extremely hot and cause damage to the hose.

## AIR COMPRESSOR (OPTION)

The air compressor unit installed on the E-Z Series II is designed to assist in the cleaning of debris from cracks & joints. **Always** use approved high pressure air hoses with properly installed fittings. **Do not use frayed or worn hoses.** A cold air lance, or approved hot air lance can be used with this compressor.

The engine RPM is set for maximum air compressor performance.

### START UP:

1. Close ball valve located at air outlet of compressor.
2. Attach air hose to cold air lance(standard equipment) or optional hot air lance Crafcro part number 45650 (See pages 86-87 for parts breakdown and optional hoses).
3. Turn compressor toggle switch in control box "ON".
4. Open ball valve located at air outlet of compressor.

If the compressor is not needed for long periods of time, turn "OFF" at toggle switch inside the control box.

Never turn compressor off then back on immediately. Allow air pressure to dissapate before restarting. This may take several minutes.

**NOTE:** When compressor is turned off after it has been running, a puff of smoke will come from the air filer area. This is normal and does not require attention.

### SHUTDOWN:

1. Turn toggle switch "OFF" in control box.
2. Bleed off all air prior to disconnecting any lance or hose connection.

## STORING MACHINE

The melter should be stored in an area where moisture cannot enter the machine heating system such as hot oil, controls, etc. Extended down time can cause moisture build up in heating oil tank.

If there is any suspicion that moisture may have collected in heat transfer oil, warm heat transfer fluid to 300°F. for 2 to 3 hours to evaporate the moisture.

## INSTRUCTIONS FOR ORDERING PARTS

Parts may be ordered from your local CRAFCO Distributor or directly from CRAFCO, Inc. if a distributor is not available in your area. When ordering parts, give the following information:

1. Part number.
2. Machine model.
3. Serial number.

**Write, telephone, or fax:**

CRAFCO, INCORPORATED  
420 N. Roosevelt Ave.  
Chandler, AZ 85226-2601  
Phone: 602-276-0406  
Fax: 480-961-0513  
Toll Free: 1-800-528-8242

# MAINTENANCE INSTRUCTIONS

## ENGINE

See Engine Owner Manual for operating and maintenance instructions.

## HYDRAULIC SYSTEM

Check hydraulic fluid daily. Change hydraulic filter every 250 hours of operation. Change hydraulic fluid every 500 hours of operation.

## HEAT TRANSFER OIL

Check oil level every 8 hours of operation. Change oil every 500 hours of operation.

## WHEEL BEARINGS

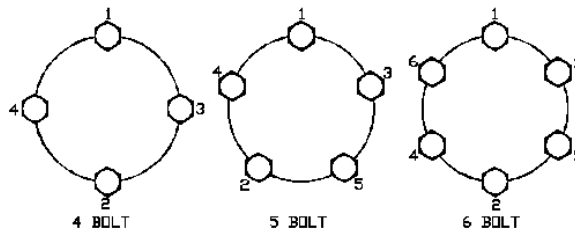
Re-pack wheel bearings every 24,000 miles or every two years, using a good grade of bearing grease.

## Material Pump

Lubricate on board bearings using a good grade of bearing grease. Adjust pump packing periodically. A slight drippage (several drops per minute) should be allowed. Refer to pump section for details.

## LUG NUTS

Wheel nuts/bolts should be torqued before first road use and after each wheel removal. Check and retorque after the first 10 miles, 25 miles, and again at 50 miles. Check periodically thereafter. Torque in stages. 1st stage 20-25 ft.lbs., 2nd stage 50-60 ft.lbs., 3rd stage 90-120 ft.lbs.



## TIGHTENING SEQUENCE

## BRAKES

Check brakes daily. Refer to DEXTER AXLE Operation Maintenance Service Manual located in the manual box.

## TONGUE JACK

Lubricate tongue jack, using a good grade of bearing grease.

# MAINTENANCE INSTRUCTIONS

## TEMPERATURE CONTROL CALIBRATION

Check control knob calibration weekly.

1. Calibrate by aligning the line on the control knob with the calibration line on the scale plate (See Fig. 1).

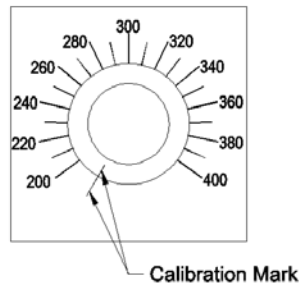


Fig. 1

## REPLACING HEAT TRANSFER OIL

1. Drain oil by removing oil drain cap located under machine.
  2. Open ball valve located rear drivers side of machine before refilling. This allows the air to escape the center column.
  3. Start burner and heat the heat transfer oil until one drop of oil comes out of ball valve.
  4. Shut ball valve immediately. **(CAUTION: HOT OIL WILL CAUSE SEVERE BURNS)**
- NOTE: THIS PROCEDURE IS NOT REQUIRED FOR DAILY OPERATION.**

# MAINTENANCE CHART

LOCATION	PROCEDURE	HOURS			
		Daily	50	100	500
Engine check oil level.	Check daily.	*			
Other Engine Maintenance	See Isuzu Operating and Maintenance Instructions.				
Battery	Check water level weekly.				
Pump Packing	Tighten as required. Drip should be several drops/per minute.		*		
Heat Transfer Oil	Check (every 8 hours)		*		
	Change	After 500 hours or 1 year.			
Hydraulic Oil Return Line Filter	First change (250 hours)				
	Subsequent changes (250 hours)			*	
Hydraulic Oil	Check oil (daily).	*			
	Change oil (every 500 hours).				*
	For proper oil, see recommended fluids & lubricants.				
Burner	Check burner box insulation.				*
	Clean cad cell.				*
	Check electrodes.				*
	Check blower brushes.				*
	Replace burner nozzle				*
Wheel Bearings	Clean & repack - using good grade of bearing grease.	Every 24,000 miles or every two years.			
Tongue Jack	Grease, using good grade of bearing grease.	Once a year.			
Air Compressor	Change oil after first 400 hours of operation. See Section 5 of the Air Compressor Manual.				

## SERVICE INSTRUCTIONS

1. Conduct a general inspection of your machine at least once a week. Replace all worn or damaged parts, make any necessary adjustments and tighten all loose nuts or screws.
2. Keep regular replacement items in stock for emergency repairs and to avoid costly "down" time.
3. Watch for leaks. Tighten fitting or repair as necessary.
4. Clean machine externally periodically. Check with sealant manufacturer for recommendation.

## RECOMMENDED FLUIDS AND LUBRICANTS

APPLICATION	RECOMMENDED	FULL POINT
Engine oil	Refer to Isuzu owners manual.	3 Qts.
Diesel	#1 Cold climate #2 Warm climate	30 Gals.
Hydraulic oil	ISO 68 (40° F (4.4° C) - 180° F (82.2° C)) ISO 46 (30° F (-1.1° C) - 155° F (68.3° C))	24 Gals.
Heat transfer oil	Regal R&O 68	33.5 Gals.

**The following is a list of suitable heat transfer oil to be used in CrafcO equipment.**

PRODUCER	PRODUCT NAME	PRODUCT NUMBER
Texaco	Regal	R&O 68
Exxon	Caloria	HT 43
Arco	Rubilene	--
Citgo	Sentry	R&O 68
Gulf Oil Co.	Security	R&O 68
Shell Oil Co.	Therma	C
Chevron	Chevron Heat Transfer Oil	--
Conoco	Heat Transfer Oil	R&O 68

## TYPICAL SPECIFICATIONS

ISO	68	Viscosity Index	95-100
Flash Point, COC	445°F.	Pour Point	0°F.
Viscosity @ 100°F.-SUS	325	Carbon Residue	1%
Viscosity @ 210°F.-SUS	50		



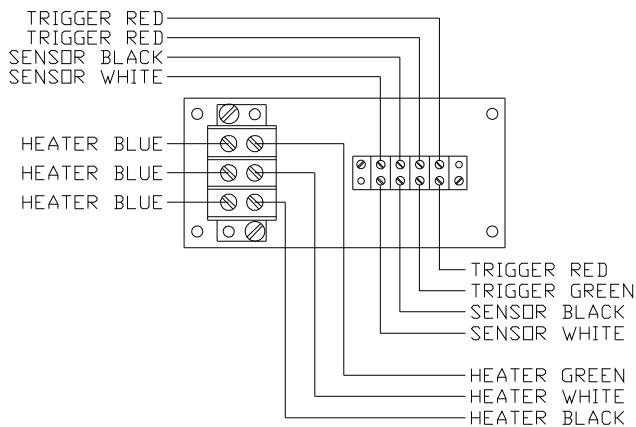
### **WARNING:**

The heat transfer oil in this machine is a grade that has been tested and recommended by CrafcO, Inc. The addition of any grade of oil not specifically recommended by CrafcO, Inc., shall be cause for warranties to be voided.

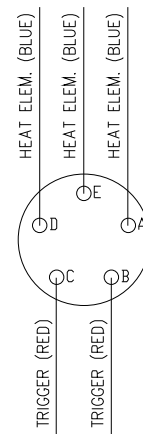
All oils subjected to high temperatures deteriorate with time and lose many of their characteristics. Tests conducted by CrafcO, Inc. have determined that for best results and safety, the heat transfer oil in this machine must be drained and replaced with CrafcO, Inc. recommended oil after five hundred (500) hours of operation or one (1) year, whichever occurs first.



# TROUBLE SHOOTING GUIDE - ELECTRIC HOSE



KETTLE END



WAND END

## HOSE DOES NOT HEAT

**Step 1:** Is the “MATERIAL” temperature at 275°F?

**YES:** Go to step 2.

**NO:** Turn “POWER” toggle switch “ON”.

**Step 2:** Is “HEATED HOSE” light illuminated?

**YES:** Go to step 3.

**NO:** Check for tripped circuit breaker in front panel.

**YES:** Reset circuit breaker.

**NO:** Remove front panel and check for 12 volts at pink wire terminal #2 of the material Pak-Stat.

**YES:** Go to step 2a.

**NO:** Check for 12 volts at pink wire terminal #9 of the hose Pak-Stat.

**Step 2a:** Check for 12 volts at #3 terminal (pink wire) on the hose Pak-Stat.

**YES:** Go to step 2b.

**NO:** Check wire connections or go to step 1.

**Step 2b:** Check for 12 volts at #4 terminal (blue wire) when Pak-Stat is on.

**YES:** Go to step 3.

**NO:** Check the ohms between black and white wires at terminals #6 and #7.

**(NOTE: One of the sensor wires must be disconnected to check resistance)** See page 31 for the corresponding temperature reading.

Temperature reading should match LCD readout.

**YES:** Replace Pak-Stat.

**NO:** Replace hose.

**Step 3:** Check for 12 volts at “BATT” terminal on generator.

**YES:** Go to step 4.

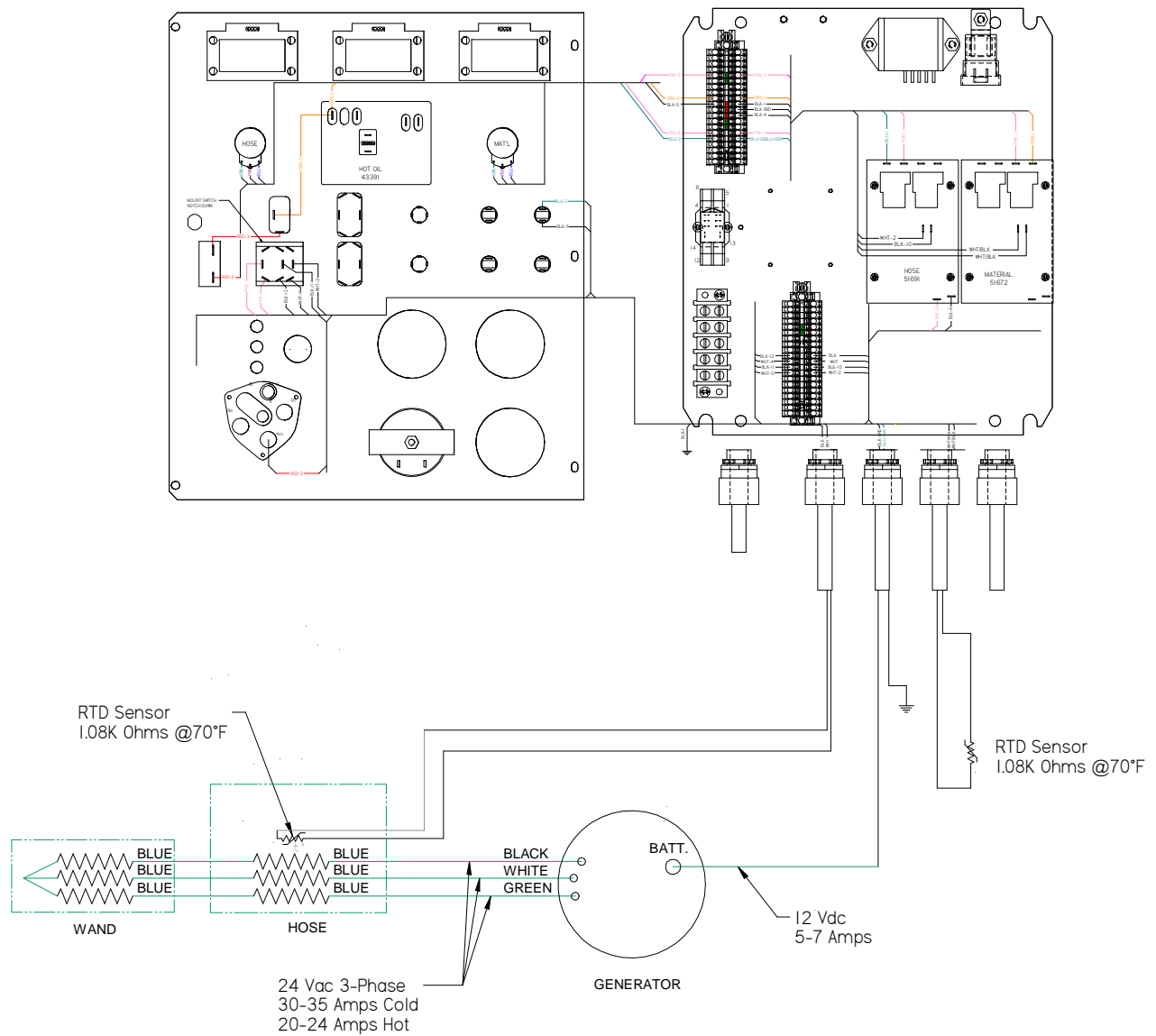
**NO:** Check 12 volts at terminal strip(blue wire) in control box.

**Step 4:** Check for 24 volts AC at the “BLACK”, “WHITE” and “GREEN” wires on the generator. (Check between blk and wht, blk and grn, wht and grn)

**YES:** Go to step 5.

**NO:** Replace generator.

# TROUBLE SHOOTING GUIDE - ELECTRIC HOSE



ELECTRIC HOSE - EZ SERIES II

## TROUBLE SHOOTING GUIDE - ELECTRIC HOSE

**Step 5:** Check for 30 amps (cold) or 22-24 amps (hot) at the 3 blue wires in the junction box. **(Always use a clamp-on AMP meter to perform this test)**

**YES:** Hose should be operating properly.

**NO:** Go to step 6.

**Step 6:** Check for continuity between three heating element wires (blue) in junction box. **(NOTE: Wires must be disconnected from terminal block)**

**YES:** Go to step 7.

**NO:** Check continuity between terminals "A", "E", and "D" at the wand.

**YES:** Wand is Ok. Go to step 7.

**NO:** Replace wand.

**Step 7:** Check for continuity between element wires (blue) and the fitting of the hose.

**YES:** Replace hose.

**NO:** Hose is OK.

### **MATERIAL DOES NOT DISPENSE WHEN PUMP IS ACTIVATED**

**Step 1:** Is the pump motor coupling turning when trigger is depressed?

**YES:** Is the "TANK" valve and applicator valve open?

**NO:** Go to step 2.

**Step 2:** Is the "PUMP" light illuminated in the control box?

**YES:** Go to step 3.

**NO:** Go to step 4.

**Step 3:** Is the top right light on hydraulic valve illuminated (looking from passenger side of the machine down on the hydraulic valve) when trigger is depressed?

**YES:** Replace hydraulic valve.

**NO:** Go to step 4.

**Step 4:** Is the "HOSE" temperature at 325°F ?

**YES:** Go to step 4.

**NO:** Heated hose must be at 325°F minimum before pump will activate.

**Step 5:** Check for 12 volts at terminal #4 (green wire) on the relay.

**YES:** Go to step 5a.

**NO:** Check continuity of red trigger wires in junction box when trigger is depressed.

**Yes:** Go to step 6.

**No:** Check for continuity between terminals "C" and "B" on wand when the trigger is activated.

**YES:** Then there should be 12Vdc at terminal #4.

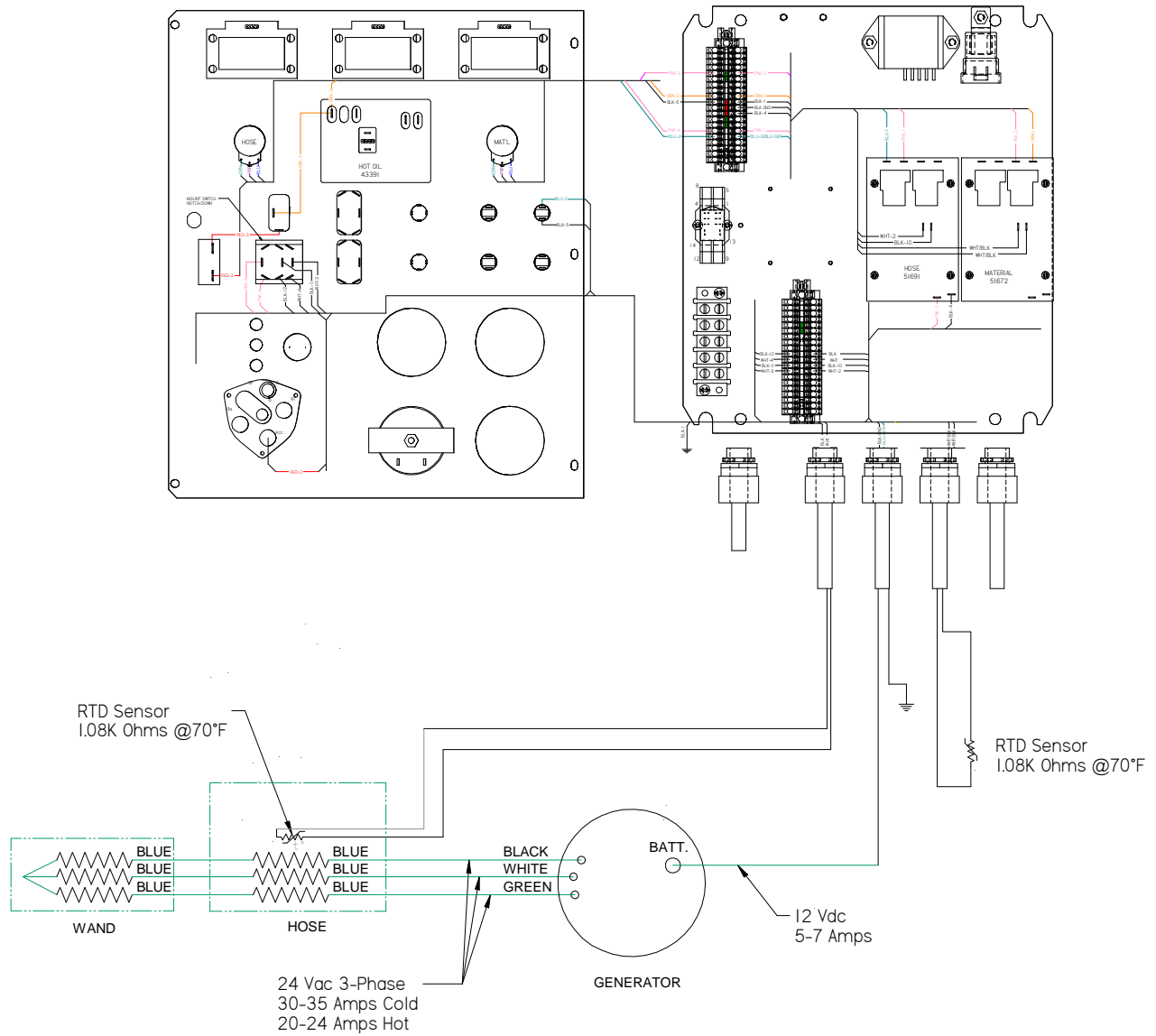
**NO:** Replace trigger or check for poor connections.

**Step 5a:** Check for 12Vdc at terminal #12 of relay when trigger is depressed.

**YES:** Check for breaks or shorts in wiring from control box to hydraulic valve

**NO:** Replace relay base.

# TROUBLE SHOOTING GUIDE - ELECTRIC HOSE



ELECTRIC HOSE - EZ SERIES II

# TROUBLE SHOOTING GUIDE - ELECTRIC HOSE

## PUMP ROTATES BUT NO MATERIAL IS DISCHARGED

**Step 1:** Has the sealant and heated hose had sufficient time to reach temperature?

**YES:** Go to step 2.

**NO:** Allow the sealant and hose to heat longer.

**Step 2:** Check material outlet pipe and connection between hose and wand for obstruction.

**YES:** Remove obstruction and reassemble hose connection.

**NO:** Go to step 3.

**Step 3:** Is there an obstruction at the pump suction?

**YES:** Reverse material pump for 30 seconds.

**NO:** Refer to page 20 for pump removal if required.

## MATERIAL DISPENSING RATE IS TOO SLOW

**Step 1:** Check speed control knob for desired flow adjustment.

**YES:** Go to step 2.

**NO:** Adjust to desired flow.

**Step 2:** Is there enough material in the tank?

**YES:** Go to step 3.

**NO:** Add enough material to bring tank level above the screen.

**Step 3:** Check material outlet pipe and connection between hose and wand for obstruction.

**YES:** Remove obstruction and reassemble hose connection.

**NO:** Pump is worn out .

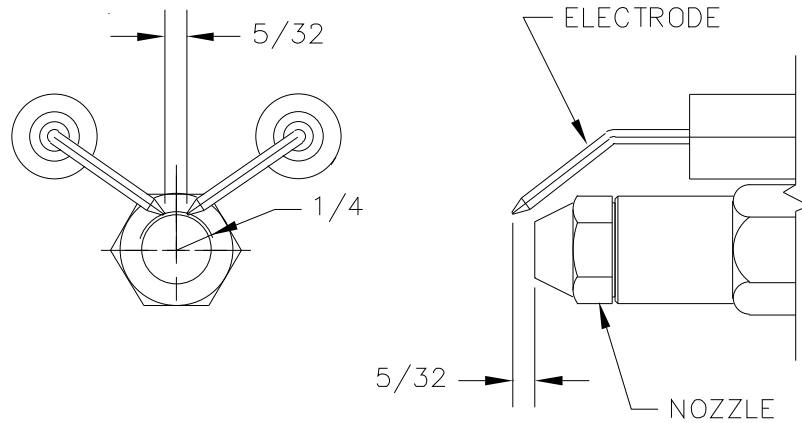
# RTD SENSOR - OHMS vs. TEMPERATURE

The following chart shows what the Ohm reading would be for a given temperature. This is to be used when trouble shooting the burner and the hose. The following are the instructions for use.

1. Measure the resistance (Ohms) of the sensor in question with an Ohm meter.
2. Find the reading in the chart.
3. Follow the row to the left and get the temperature in 10° increment, then follow the column up to get the 1° increment. **Example: 1573 Ohms =302°**

°F	0	1	2	3	4	5	6	7	8	9
0	930.3	932.5	934.7	936.9	939.1	941.3	943.4	945.6	947.8	950.0
10	952.2	954.3	956.5	958.7	960.9	963.0	965.2	967.4	969.6	971.8
20	973.9	976.1	978.3	980.5	982.6	984.8	987.0	989.1	991.3	993.5
30	995.7	997.8	1000.0	1002.2	1004.3	1006.5	1008.7	1010.9	1013.0	1015.2
40	1017.4	1019.5	1021.7	1023.9	1026.0	1028.2	1030.4	1032.5	1034.7	1036.9
50	1039.0	1041.2	1043.4	1045.5	1047.7	1049.8	1052.0	1054.2	1056.3	1058.5
60	1060.7	1062.8	1065.0	1067.1	1069.3	1071.5	1073.6	1075.8	1077.9	1080.1
70	1082.2	1084.4	1086.6	1088.7	1090.9	1093.0	1095.2	1097.3	1099.5	1101.6
80	1103.8	1106.0	1108.1	1110.3	1112.4	1114.6	1116.7	1118.9	1121.0	1123.2
90	1125.3	1127.5	1129.6	1131.8	1133.9	1136.1	1138.2	1140.4	1142.5	1144.7
100	1146.8	1149.0	1151.1	1153.2	1155.4	1157.5	1159.7	1161.8	1164.0	1166.1
110	1168.3	1170.4	1172.5	1174.7	1176.9	1179.0	1181.1	1183.3	1185.4	1187.5
120	1189.7	1191.8	1194.0	1196.1	1198.2	1200.4	1202.5	1204.6	1206.8	1208.9
130	1211.0	1213.2	1215.3	1217.5	1219.6	1221.7	1223.9	1226.0	1228.1	1230.3
140	1232.4	1234.5	1236.7	1238.9	1240.9	1243.0	1245.2	1247.3	1249.4	1251.6
150	1253.7	1255.8	1258.0	1260.1	1262.2	1264.3	1266.5	1268.6	1270.7	1272.8
160	1275.0	1277.1	1279.2	1281.3	1283.5	1285.6	1287.7	1289.8	1292.0	1294.1
170	1296.2	1298.3	1300.4	1302.6	1304.7	1306.8	1308.9	1311.0	1313.2	1315.3
180	1317.4	1319.5	1321.6	1323.8	1325.9	1328.0	1330.1	1332.2	1334.3	1336.5
190	1338.6	1340.7	1342.8	1344.9	1347.0	1349.1	1351.2	1353.4	1355.5	1357.6
200	1359.7	1361.8	1363.9	1366.0	1368.1	1370.2	1372.4	1374.5	1376.6	1378.7
210	1380.8	1382.9	1385.0	1387.1	1389.2	1391.3	1393.4	1395.5	1397.6	1399.7
220	1401.8	1403.9	1406.0	1408.1	1410.3	1412.4	1414.5	1416.6	1418.7	1420.8
230	1422.9	1425.0	1427.1	1429.2	1431.3	1433.4	1435.5	1437.6	1439.7	1441.7
240	1443.8	1445.9	1448.0	1450.1	1452.2	1454.3	1456.4	1458.5	1460.6	1462.7
250	1464.8	1466.9	1469.0	1471.1	1473.2	1475.3	1477.3	1479.4	1481.5	1483.6
260	1485.7	1487.8	1489.9	1492.0	1494.1	1496.1	1498.2	1500.3	1502.4	1504.5
270	1506.6	1508.7	1510.8	1512.8	1514.9	1517.0	1519.1	1521.2	1523.3	1525.3
280	1527.4	1529.5	1531.6	1533.7	1535.7	1537.8	1539.9	1542.0	1544.1	1546.1
290	1548.2	1550.3	1552.4	1554.5	1556.5	1558.6	1560.7	1562.8	1564.8	1566.9
300	1569.0	1571.1	1573.1	1575.2	1577.3	1579.4	1581.4	1583.5	1585.6	1587.7
310	1589.7	1591.8	1593.9	1595.9	1598.0	1600.1	1602.2	1604.2	1606.3	1608.4
320	1610.4	1612.5	1614.6	1616.6	1618.7	1620.8	1622.8	1624.9	1627.0	1629.0
330	1631.1	1633.2	1635.2	1637.3	1639.3	1641.4	1643.5	1645.5	1647.6	1649.7
340	1651.7	1653.8	1655.8	1657.9	1660.0	1662.0	1664.1	1666.1	1668.2	1670.2
350	1672.3	1674.4	1676.4	1678.5	1680.5	1682.6	1684.6	1686.7	1688.7	1690.8
360	1692.9	1694.9	1697.0	1699.0	1701.1	1703.1	1705.2	1707.2	1709.3	1711.3
370	1713.4	1715.4	1717.5	1719.5	1721.6	1723.6	1725.7	1727.7	1729.8	1731.8
380	1733.9	1735.9	1737.9	1740.0	1742.0	1744.1	1746.1	1748.2	1750.2	1752.3
390	1754.3	1756.3	1758.4	1760.4	1762.5	1764.5	1766.6	1768.6	1770.6	1772.7
400	1774.7	1776.8	1778.8	1780.8	1782.9	1784.9	1786.9	1789.0	1791.0	1793.1
410	1795.1	1797.1	1799.2	1801.2	1803.2	1805.3	1807.3	1809.3	1811.4	1813.4
420	1815.4	1817.5	1819.5	1821.5	1823.6	1825.6	1827.6	1829.6	1831.7	1833.7
430	1835.7	1837.8	1839.8	1841.8	1843.8	1845.9	1847.9	1849.9	1851.9	1854.0
440	1856.0	1858.0	1860.0	1862.1	1864.1	1866.1	1868.1	1870.2	1872.2	1874.2
450	1876.2	1878.2	1880.3	1882.3	1884.3	1886.3	1888.3	1890.4	1892.4	1894.4
460	1896.4	1898.4	1900.5	1902.5	1904.5	1906.5	1908.5	1910.5	1912.6	1914.6
470	1916.6	1918.6	1920.6	1922.6	1924.6	1926.6	1928.7	1930.7	1932.7	1934.7
480	1936.7	1938.7	1940.7	1942.7	1944.7	1946.8	1948.8	1950.8	1952.8	1954.8
490	1956.8	1958.8	1960.8	1962.8	1964.8	1966.8	1968.8	1970.8	1972.8	1974.8
500	1976.8	1978.8	1980.8	1982.9	1984.9	1986.9	1988.9	1990.9	1992.9	1994.9
510	1996.9	1998.9	2000.9	2002.9	2004.9	2006.9	2008.8	2010.8	2012.8	2014.8
520	2016.8	2018.8	2020.8	2022.8	2024.8	2026.8	2028.8	2030.8	2032.8	2034.8
530	2036.8	2038.8	2040.8	2042.8	2044.7	2046.7	2048.7	2050.7	2052.7	2054.7
540	2056.7	2058.7	2060.7	2062.7	2064.6	2066.6	2068.6	2070.6	2072.6	2074.6
550	2076.6	2078.5	2080.5	2082.5	2084.5	2086.5	2088.5	2090.4	2092.4	2094.4

# DIESEL BURNER ADJUSTMENTS



# DIESEL BURNER SETTINGS

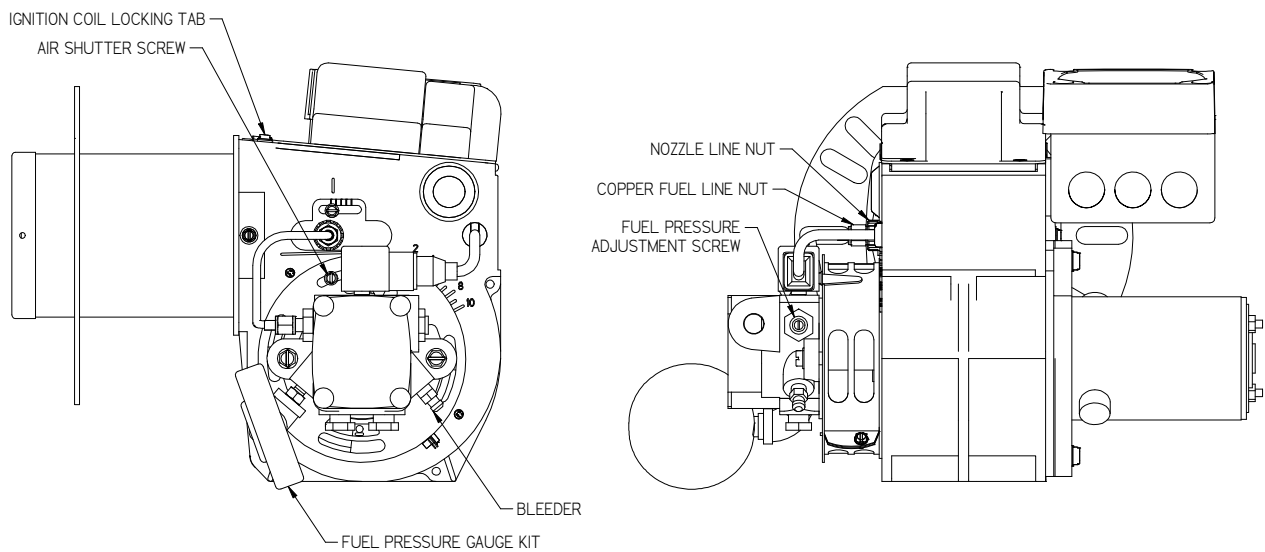
Air Shutter = 7

Air Band = 0

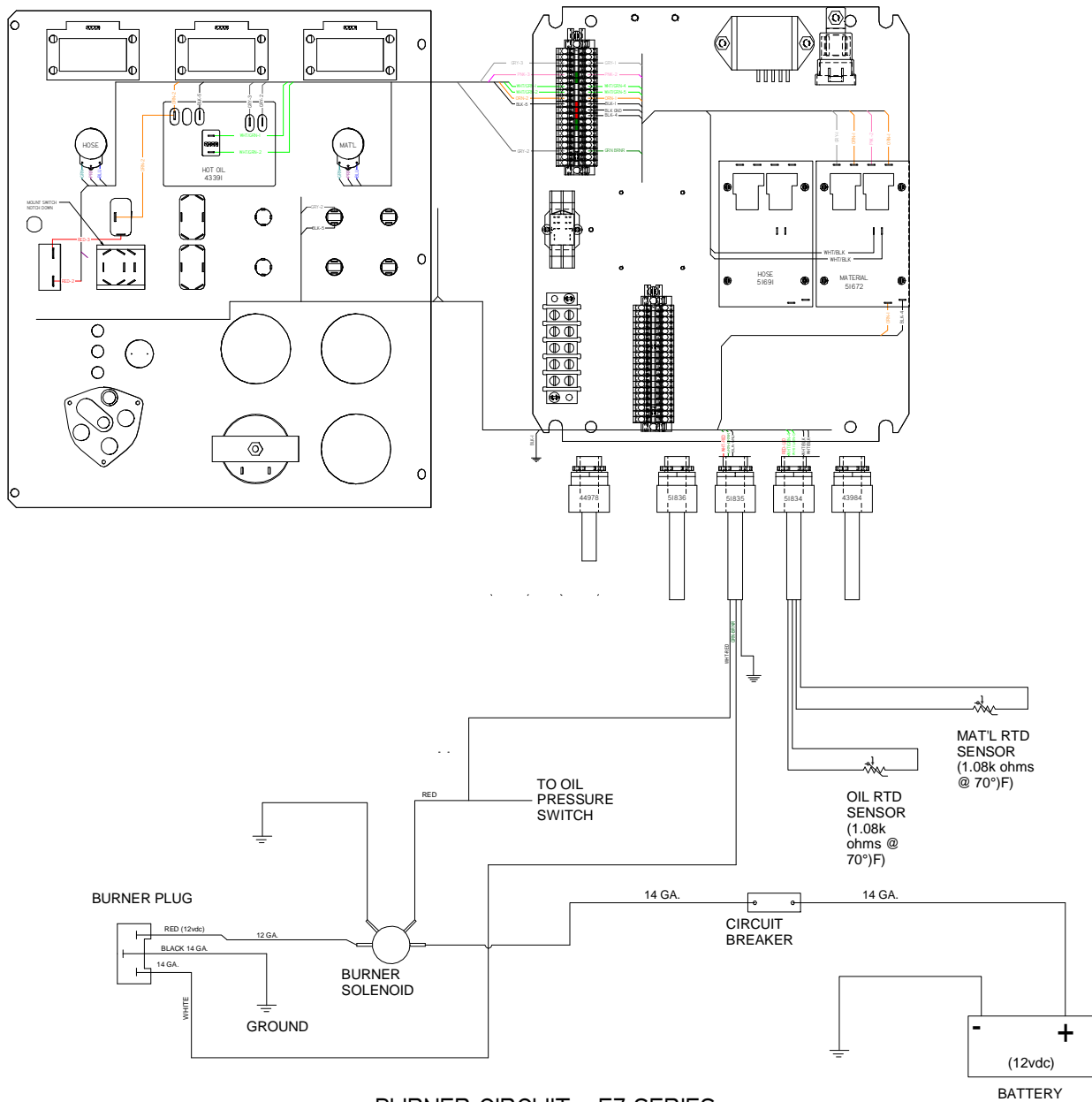
Fuel Pressure = 140 PSI

Adjustment Plate = 3

Use fuel pressure gauge kit part number 29627.



# BURNER SCHEMATIC



BURNER CIRCUIT - EZ SERIES



# BURNER TROUBLE SHOOTING

## BURNER WILL NOT IGNITE

**Step 1:** Check for 12 volts at “POWER” toggle switch.

**No:** Engine key “OFF”  
Toggle switch “OFF”  
Blown fuse  
Broken wire

**YES:** 12 volts at terminal #4 on “MATERIAL” Pak-Stat

**NO:** Bad Pak-Stat  
Faulty sensor

**YES:** Check for 12 volts at terminal #7 on “OIL” Pak-Stat

**NO:** Bad Pak-Stat  
Faulty sensor

**YES:** Check for 12 volts at solenoid (frame).

**NO:** Bad solenoid  
Bad connection at battery  
Faulty circuit breaker  
Broken or loose wire

**YES:** Faulty DC Controller, poor ground / loose wire  
Faulty or dirty flame  
Faulty igniter transformer, cracked electrode (ceramic)  
Incorrect igniter gap  
Faulty fuel solenoid  
Bleed fuel pump / check fuel pump coupling  
Fuse under DC Controller  
Blower motor relay  
Faulty blower motor  
Alternator charging @ 14 volts  
Faulty 12 volt battery



## BURNER LIGHTS BUT SHUTS DOWN AFTER 15 SEC.

Faulty flame eye  
Broken, loose flame eye sensor wires, receptacle  
Faulty DC Controller

## BURNER LIGHTS BUT WILL NOT RELIGHT

Bad connection at battery  
Broken or loose wires  
Faulty DC Controller  
Alternator charging at 14 volts  
Faulty 12 volt battery

## EXCESSIVE SMOKE FROM BURNER EXHAUST

Air vent incorrectly set - set at 7  
Blower motor not turning at correct speed  
Alternator charging at 14 volts  
Faulty 12 volt battery

## PUMP SECTION PACKING INSTRUCTIONS

Operate the pump under normal conditions and, after a short run-in period, examine packing for leakage. If leakage is excessive tighten locknuts evenly until there is only slight leakage from the packing rings. This slight leakage is a necessary and normal condition for packing and allows for expansion and proper seating.



**NOTE:**

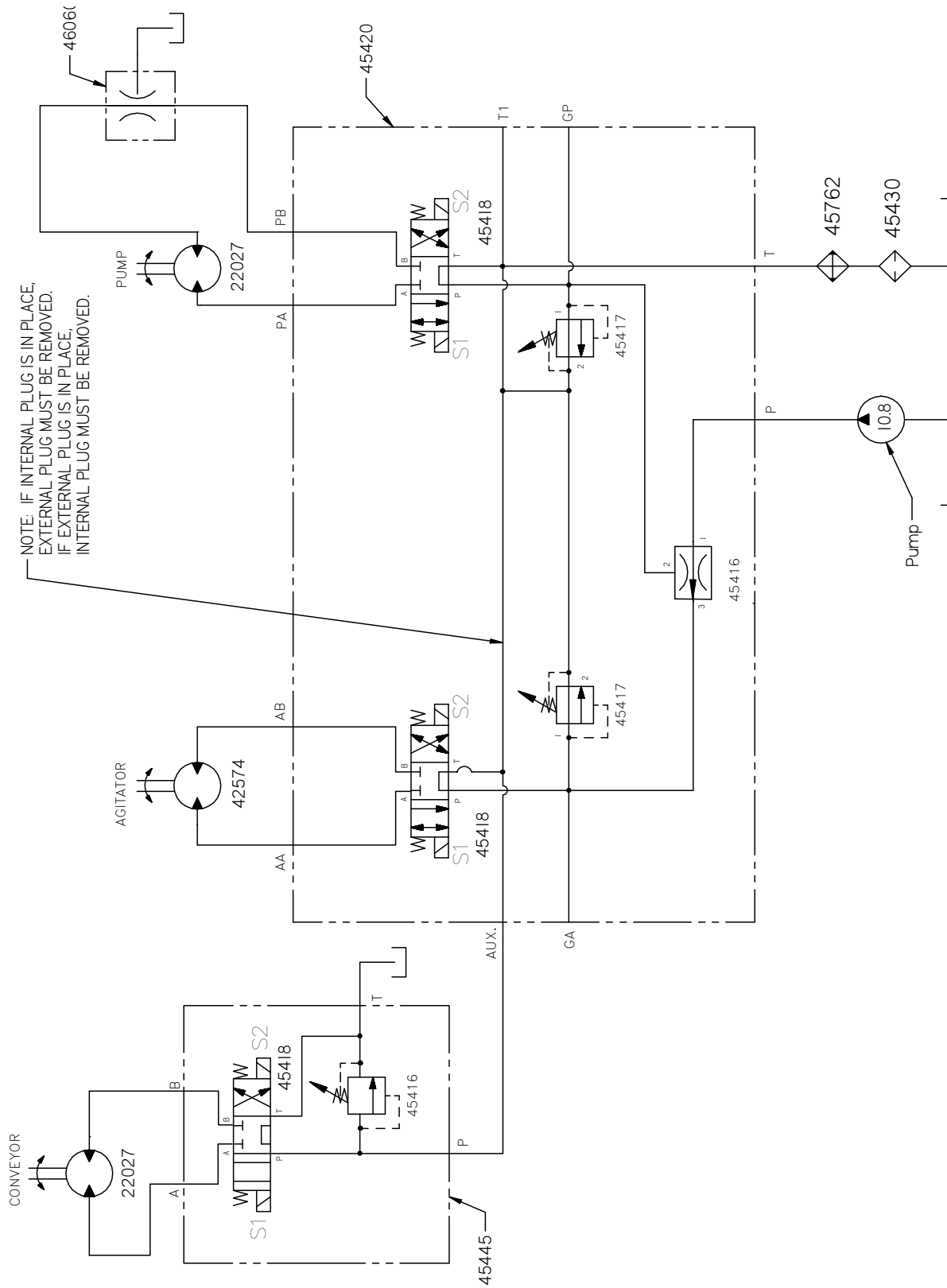
**WHERE LIQUID IS BEING HANDLED, THAT IS HAZARDOUS OR VOLATILE, FULL PRECAUTIONS SHOULD BE TAKEN DURING THE RUN-UP PERIOD.**

To replace packing remove key, two nuts and clips, packing gland and packing rings. (Packing hooks are commercially available to assist in removing the packing rings). Clean the shaft and adjacent parts. Examine the shaft, if it is excessively worn or scored, replacement of pump may be necessary.

Insert packing rings, making sure the joints are staggered 180 degrees. Use split ring bushings to seat each ring before adding the next ring. The rings must not be taped or seated in place too tightly. When the packing box is sufficiently full to allow entry of the packing gland (about 1/4") reassemble the packing gland, clips and nuts. Draw up evenly on the packing gland to assure proper seating of the packing, and then loosen nuts about 1/2 turn. Do not cock the packing gland. (This could cause binding or heating of the shaft).

**This page intentionally left blank.**

# HYDRAULIC SCHEMATIC

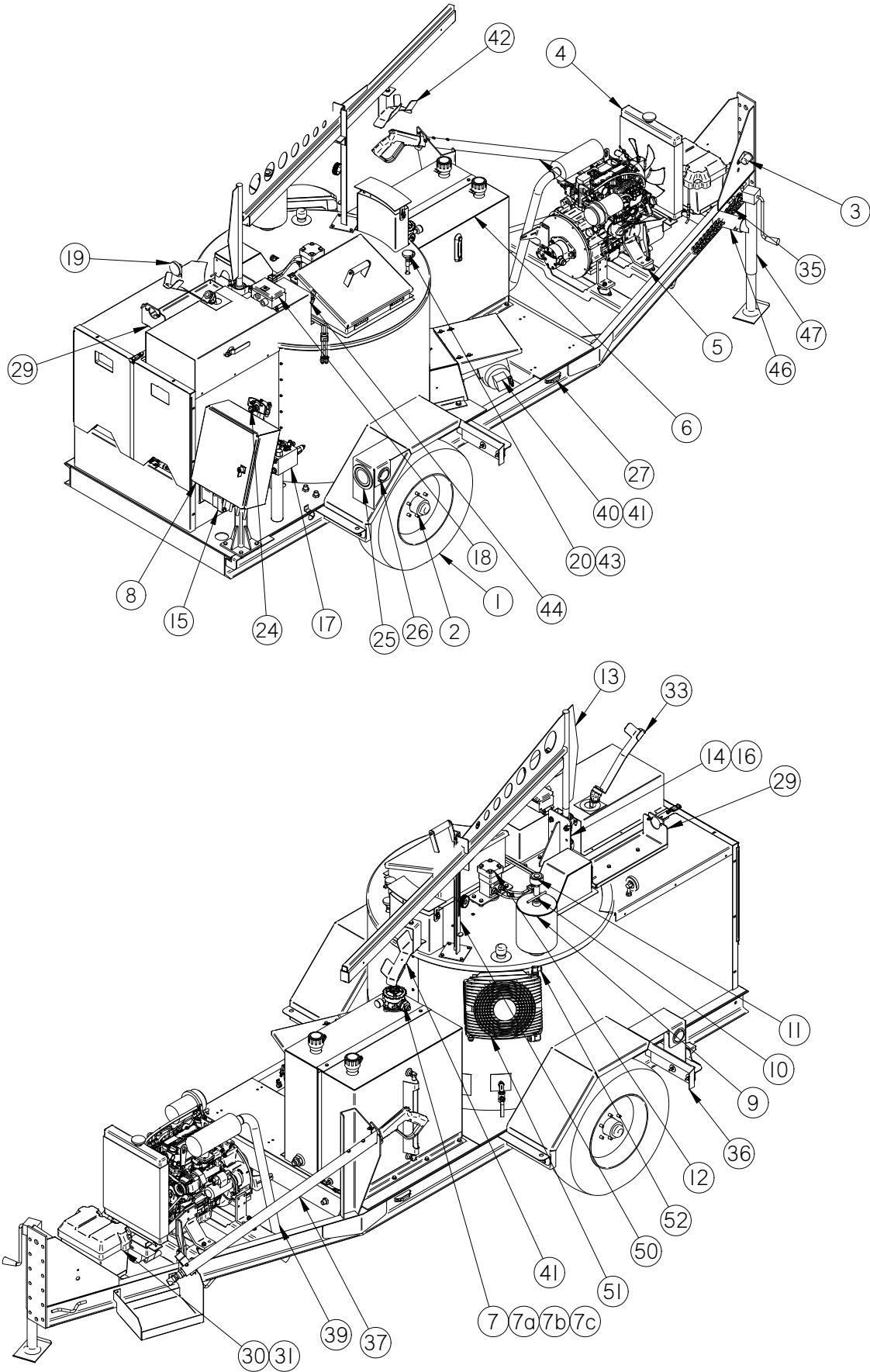


Relief Valve (RVA) = 1000 PSI  
Relief Valve (RVM) = 1500 PSI

# TROUBLE SHOOTING HYDRAULICS

PROBLEM	CAUSE	REMEDY
Mixer will not rotate.	Sealant temperature too low.	Continue to heat material.
Mixer will not rotate.	Too many blocks placed at one time.	Continue to heat material.
Mixer will not rotate.	Inadequate hydraulic flow/pressure.	Check hydraulic fluid level.
Mixer will not rotate.	Toggle switch turned off.	Reset pressure, check flow if necessary.
Material pump will not rotate.	Material in tank not to operating temperature.	Continue heating material.
Material pump will not rotate.	Inadequate hydraulic flow/pressure.	Check hydraulic fluid level. Reset pressure, check flow as necessary.
Material pump will not rotate.	Material pump damaged.	Remove and replace.
Material pump will not rotate.	Foreign object lodged in pump.	Remove pump, clean & replace.
Material pump will not rotate.	Temperature at wand tip is inadequate.	Set wand tip inside material tank.
Material pump will not rotate.	Bad switch at wand.	Remove and replace.
Material pump will not rotate.	Hydraulic cartridge failure.	Remove and replace.
Material pump will not rotate.	Hydraulic coil failure.	Remove and replace.
When applying sealant it stops flowing from applicator wand.	Tank fluid level too low for material to flow into pump.	Add more material or continue heating material until more liquid material is available.
Pump rotates, but will not pump material.	Material cold, inlet still solid. Hose not to temperature. Temperature at wand tip is inadequate.	Continue to heat material. Allow to heat longer. Set wand tip inside material tank.
Pump does not rotate.	Bad wire connection. Bad switch at wand handle. Hydraulic cartridge failure. Hydraulic coil failure.	Find bad repair. Remove and replace. Remove and replace. Remove and replace.
Slow heat up of sealant.	Built up of coked material on inside of material tank.  Low heating oil level. Low heating oil temperature.	Allow machine to cool. Remove deposits and flush with solvent. Make sure fluid level is correct. Set at recommended temperature.
Hydraulic cooling fan not on	Oil is not above 140° Temperature switch not functioning	Allow oil to warm up Replace switch (See pg. 43)

# EZ500 SERIES II MELTER



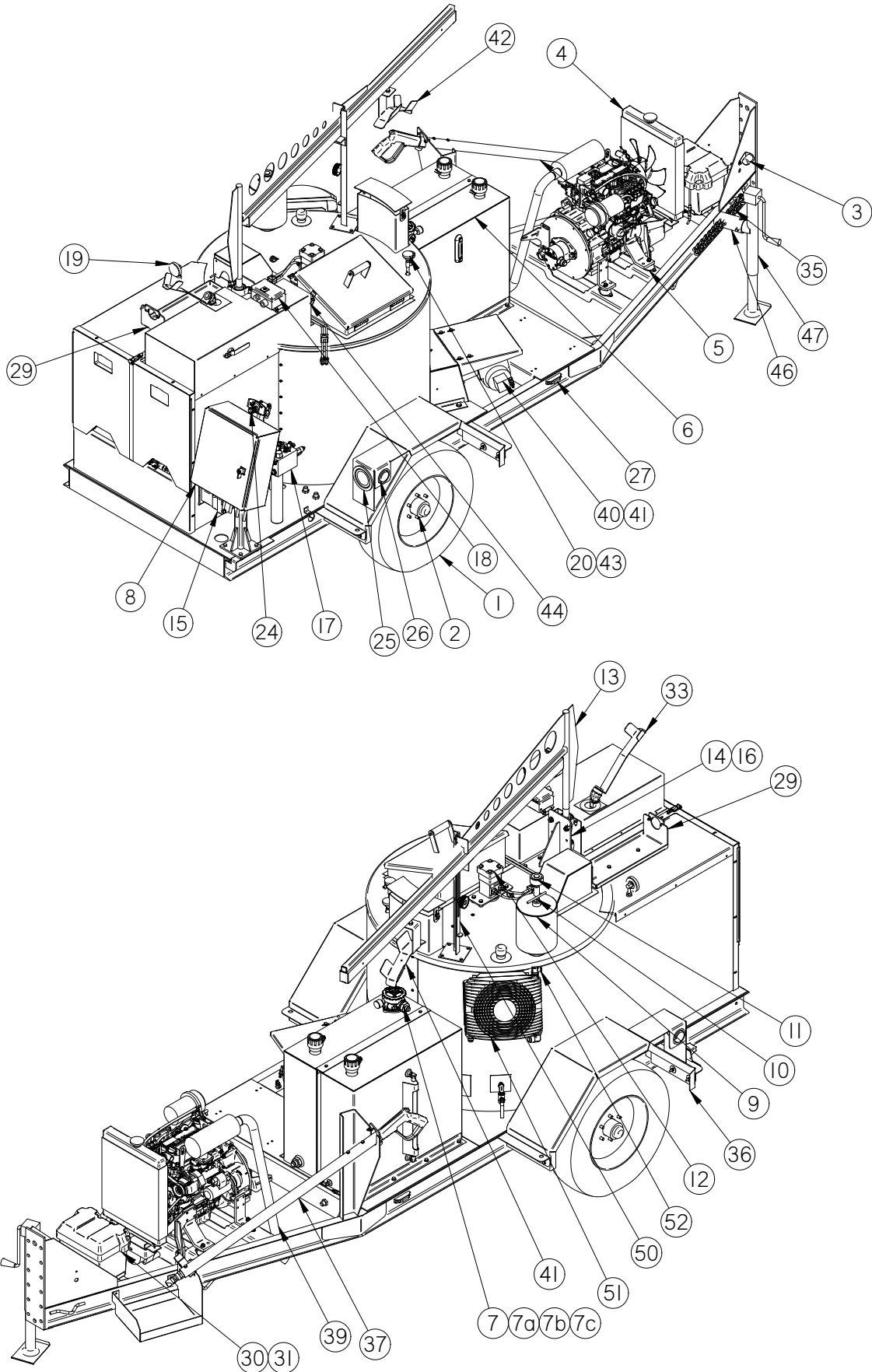
## EZ500 SERIES II MELTER

NUMBER	PART NUMBER	QTY.	DESCRIPTION
1	44342	2/4*	TIRE AND WHEEL ASSEMBLY
2	46115	1/2*	TORSIONAL AXLE ASSEMBLY
3	23117	1	BREAKAWAY SWITCH
4	46711	1	ENGINE ASSEMBLY - EB
4	46480	1	ENGINE ASSEMBLY - SB
4	46727	1	ENGINE ASSEMBLY - SC
4	46712	1	ENGINE ASSEMBLY - EC63
5	29399	4	ISOMOUNT
6	46255	1	HYDRAULIC TANK ASSEMBLY
7	45498	1	HYDRAULIC FILTER ASSEMBLY
7a	45438	1	HYDRAULIC FILTER ELEMENT
7b	45440	-	O-RING, HYDRAULIC FILTER
7c	45497	-	GASKET, HYDRAULIC FILTER
8	Pgs. 48-55	1	CONTROL BOX ASSEMBLY
9	43355	1	OVERFLOW TANK
10	46165	1	DIPSTICK
11	26025	1	AIR BREATHER
12	22310	1	MOTOR, HYDRAULIC - AGITATOR
13	46010	1	BOOM - HOSE
14	45579	1	BASE - BOOM
15	43167	1	MATERIAL PUMP ASSEMBLY
16	45553	2	BEARING, BOOM
17	45420	1	HYDRAULIC CONTROL VALVE ASSEMBLY
18	44027	1	JUNCTION BOX ASSEMBLY
19	25057	1	GAUGE, HOSE COMPARTMENT
20	43465	2	SENSOR, RTD
21	56940	1	SENSOR, RTD - PUMPING TEMPERATURE
22			
23			
24	46060	1	REGULATOR, FLOW
25	32363	2	TAIL LIGHT, STOP, TURN, AND TAIL
26	32364	2	SIDE MARKER, RED

\* EB/SB Single Axle

\*EC/SC Dual Axle

# EZ500 SERIES II MELTER

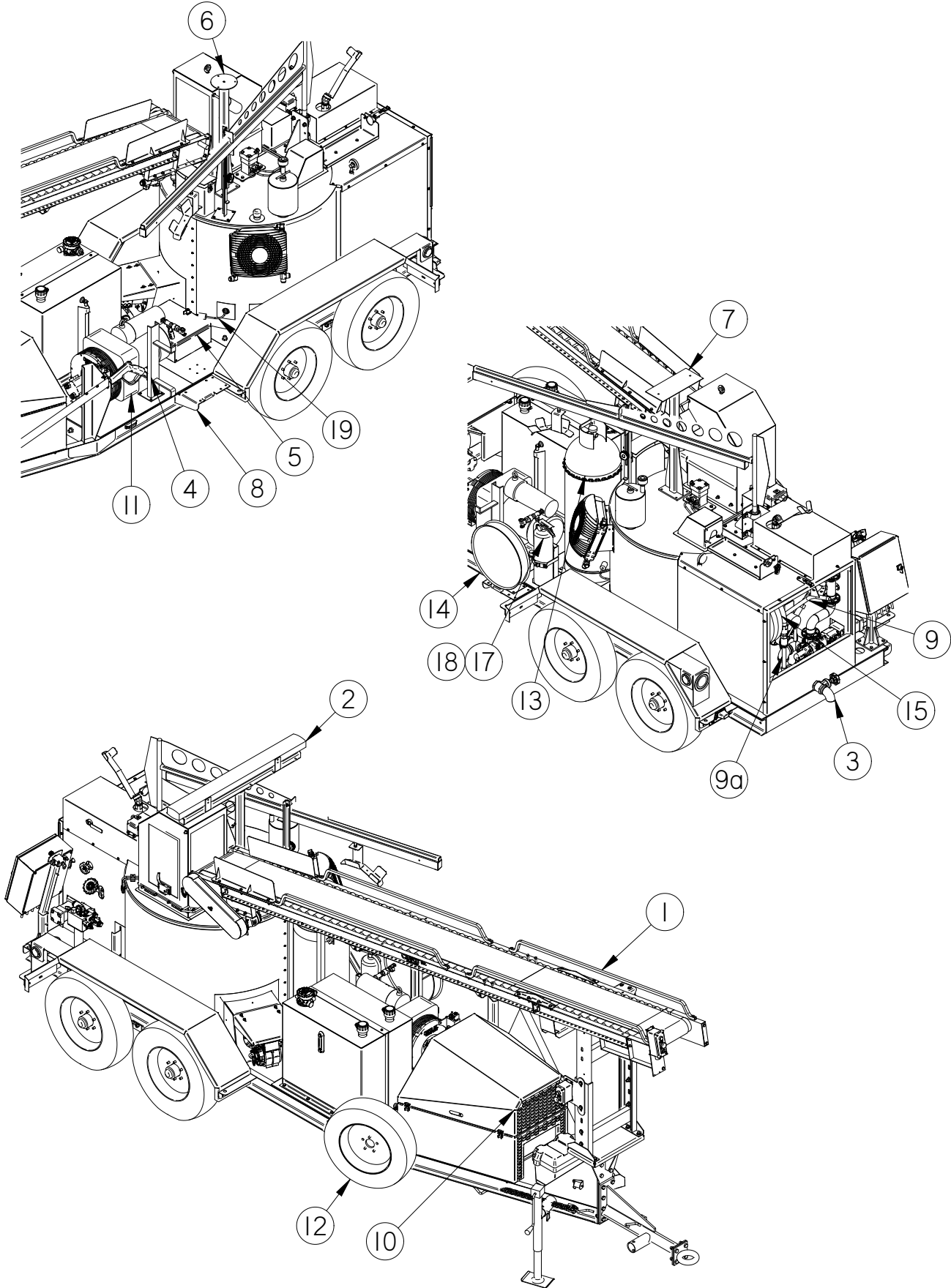




## EZ500 SERIES II MELTER

NUMBER	PART NUMBER	QTY.	DESCRIPTION
27	32365	2	CLEARANCE MARKER - YELLOW
28			
29	46707	1	SUPPORT ASSEMBLY, WAND
30	24000	1	BATTERY
31	24002	1	BATTERY BOX
32	27048	1	SWIVEL, HOSE
33	46340	1	SUPPORT, HOSE
34	45439	1	HYDRAULIC PUMP ASSEMBLY - EB, SB
34	45442	OPT.	HYDRAULIC PUMP ASSEMBLY - 63 CFM
35	20130	2	SAFETY CHAIN
36	46610	2	FENDER ASSEMBLY - SINGLE AXLE
36	46174	2	FENDER ASSEMBLY - DUAL AXLE
37	51730	OPT.	WAND ASSEMBLY - ELECTRIC
37	41629	OPT.	WAND, STANDARD HOSE
38	41208	1	HANDLE W/ VALVE
39	45372	1	EXHAUST PIPE - EB, SB
39	46338	1	EXHAUST PIPE - COMPRESSOR
40	46380	1	BURNER, DIESEL
41	41881	1	NOZZLE, BURNER
42	46053	1	HOSE HANGER
43	51065	3	CORD GRIP
44	39608	2	SWITCH, LID
44a	28569	2	NUT, LID SWITCH
45	23095	1	BUSHING, JACK ASSEMBLY
46	23082	1	JACK ASSEMBLY, 7000#
47	51731	OPT.	ELECTRIC HEATED HOSE ASSEMBLY - 15'
48	27009	OPT.	HOSE, 20' SEALANT
49	46263	1	BOOM LOCK ASSEMBLY
50			
51	45762	OPT.	HYD. OIL COOLER
52	45542	OPT.	TEMPERATURE SWITCH - OIL COOLER

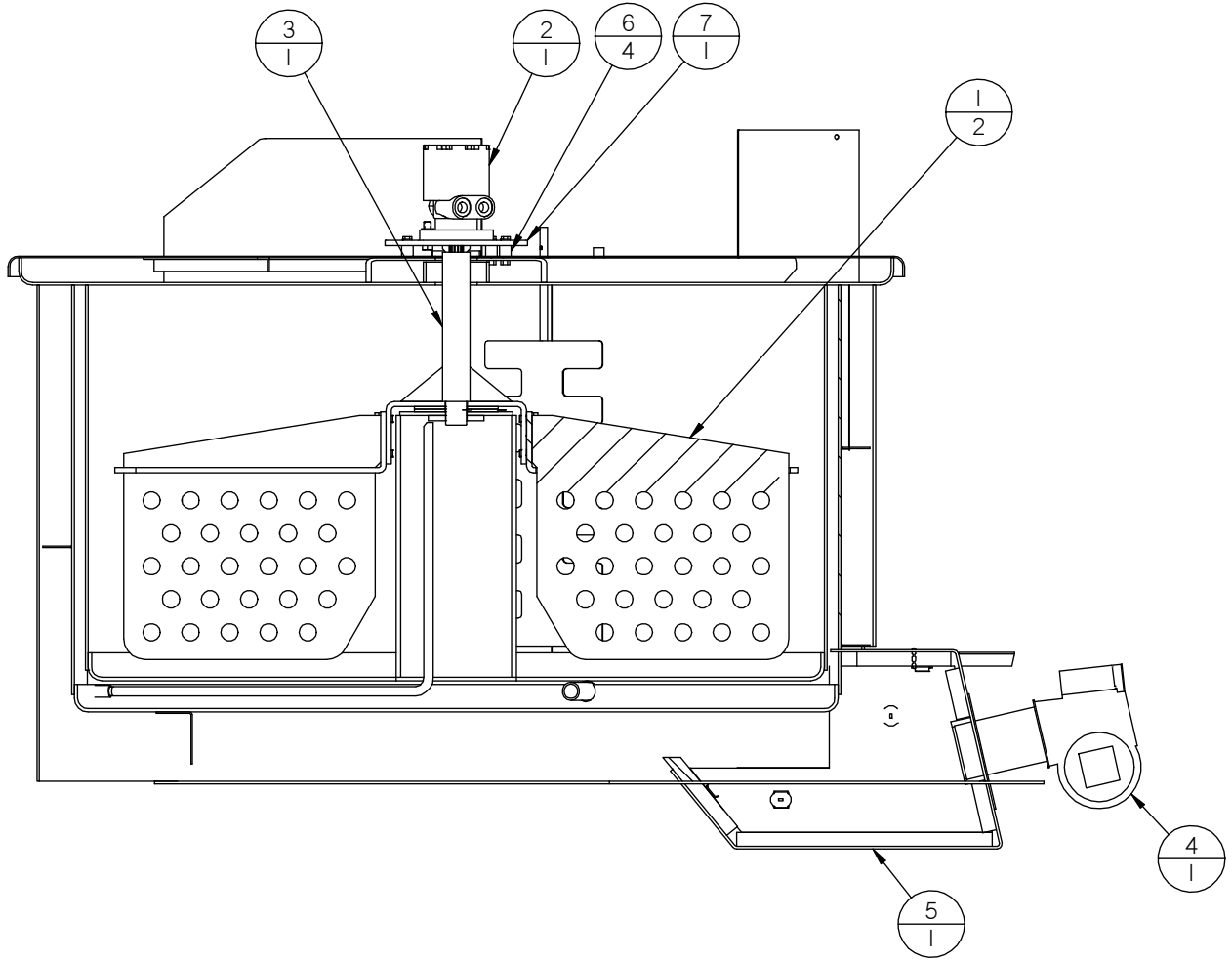
# EZ500 SERIES II MELTER OPTIONS



## EZ500 SERIES II MELTER OPTIONS

NUMBER	PART NUMBER	QTY.	DESCRIPTION
1	51230	1	CONVEYOR ASSEMBLY
2	46280K	1	ARROW BOARD
3	46279	1	KIT, GRAVITY FEED
4	46271	1	RACK, AIR HOSE
5	46260	1	TOOL BOX
6	46170K	1	STROBE LIGHT KIT (NOT SHOWN)
7	46160K	1	LIGHT BAR KIT (NOT SHOWN)
8	46148	1	MOUNTING PLATE, HOSE REEL
9	41629	1	HAND WAND ASSEMBLY
9a	41208	1	HANDLE ASSY W/ VALVE
10	45535	1	ENGINE COVER ASSEMBLY
11	45345	1	COMPRESSOR ASSEMBLY
12	43549	1	KIT, SPARE TIRE
13	41259K	1	KIT, 100# PROPANE
14	27059	1	HOSE REEL, STAINLESS STEEL
15	27009	1	20' SEALANT HOSE
16	26119	2	3/8" SAFETY HOOK (NOT SHOWN)
17	26059	1	BRACKET, FIRE EXTINGUISHER
18	26058	1	FIRE EXTINGUISHER W/ COVER
19	24190	1	HEATER, FIREROD
20	45650	1	HOT AIR LANCE (NOT SHOWN)

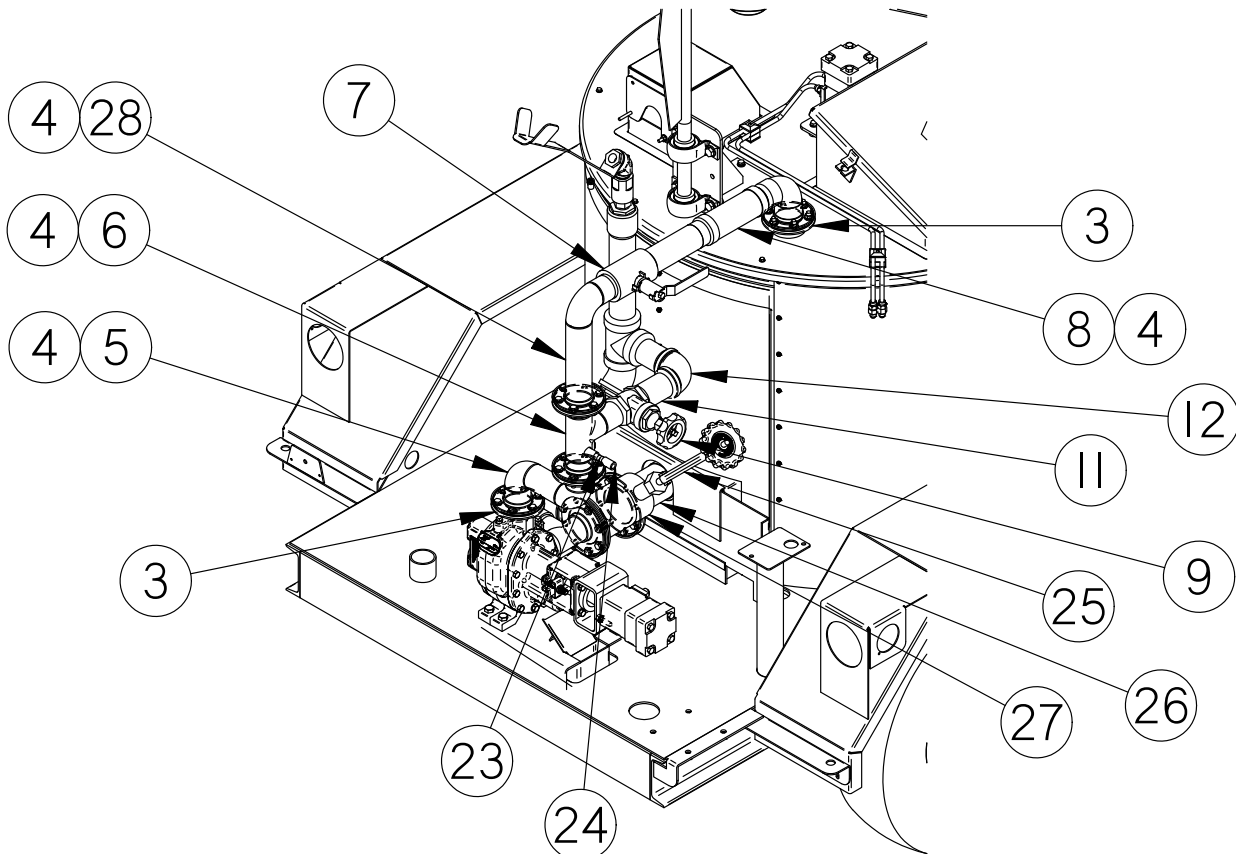
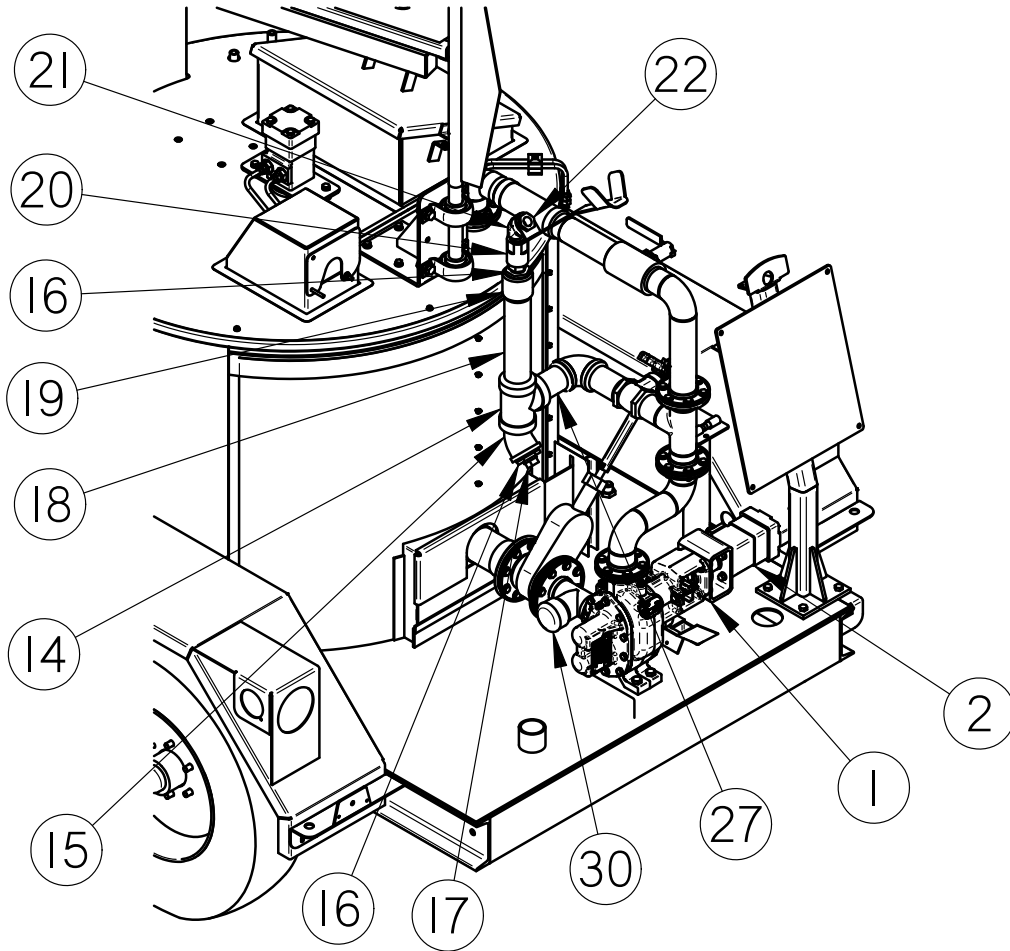
# TANK DETAIL



## TANK DETAIL

ITEM	PART NUMBER	QTY	DESCRIPTION
1	46146	2	PADDLE, AGITATOR
2	22310	1	MOTOR, HYDRAULIC - AGITATOR
3	46050	1	SHAFT ASSEMBLY, MIXER
4	46380	1	BURNER, 14 VOLT DIESEL
5	46058	1	BURNER BOX ASSEMBLY
6	40029	1	MOUNTING PLATE - MOTOR
7	40030	4	SPACER, MOTOR

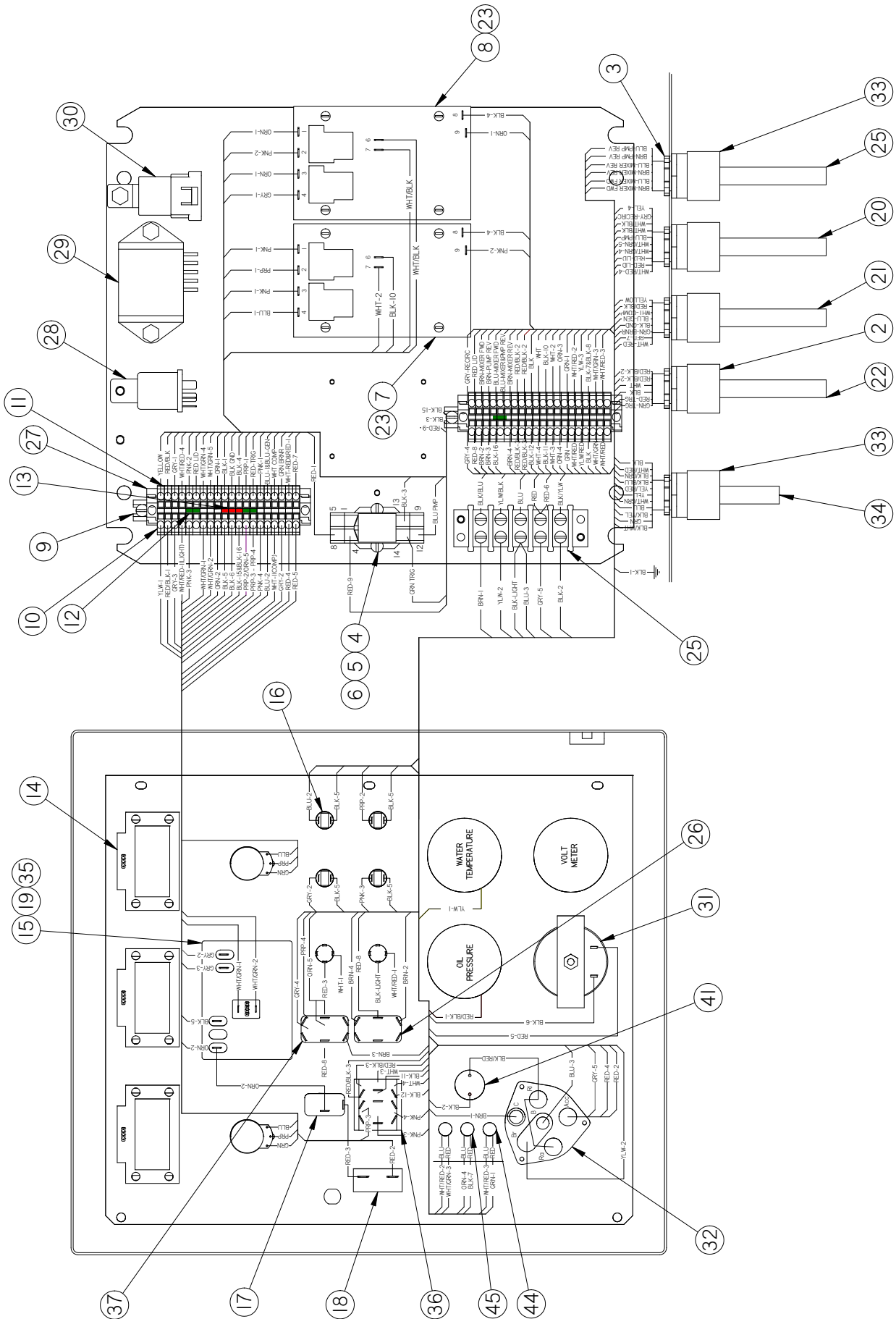
# PLUMBING



# PLUMBING

NUMBER	PART NUMBER	QTY.	DESCRIPTION
1	46020	1	PUMP ASSEMBLY
2	22027	1	HYDRAULIC MOTOR
3	22030	2	NIPPLE ASSY., FLANGED
4	29050	4	GASKET, 2" CIRCULAR FLANGE
5	46668	1	ELBOW, DOUBLE
6	46678	1	FLANGED TEE
7	41246	1	VALVE, 2" BALL
8	46753	1	PIPING ASSY, UPPER
9	29270	1	VALVE, 2" GATE
10	28060	1	NIPPLE, 2' X 5"
11	28174	1	NIPPLE, 1" NPT X 15" LG.
12	28213	1	ELBOW, 2" PIPE
13	29060	2	GASKET, 3" CIRCULAR FLANGE
14	25258	1	TEE, 2" PIPE
15	28242	1	ELBOW, 2" 45° PIPE
16	28358	2	BUSHING, 2" X 1" HEX HEAD REDUCER
17	28285	1	PLUG, 1" SQ. HEAD. PIPE
18	28150	1	NIPPLE, 2" SCH 40 X 11" LG.
19	28183	1	COUPLING, 2" PIPE
20	27048	1	SWIVEL, 1" PIPE
21	28225	1	ELBOW, 1" STREET
22	28351	1	BUSHING, 1" X 3/4" HEX HEAD REDUCER
23	28012	1	NIPPLE, 1/4" X 1 1/2"
24	28176	1	COUPLING, 1/4" PIPE
25	46509	1	EXTENSION, VALVE HANDLE
26	46065	1	FLEXHOSE ASSY., 2.5 X 8.25" LG.
27	29292	1	VALVE, 3" FLANGED GATE
28	46754	1	ELBOW, RECIRC LINE
29	28046	1	NIPPLE, 2" X 4"
30	28273	1	CAP, 2" PIPE

# CONTROL BOX - ELECTRIC HOSE

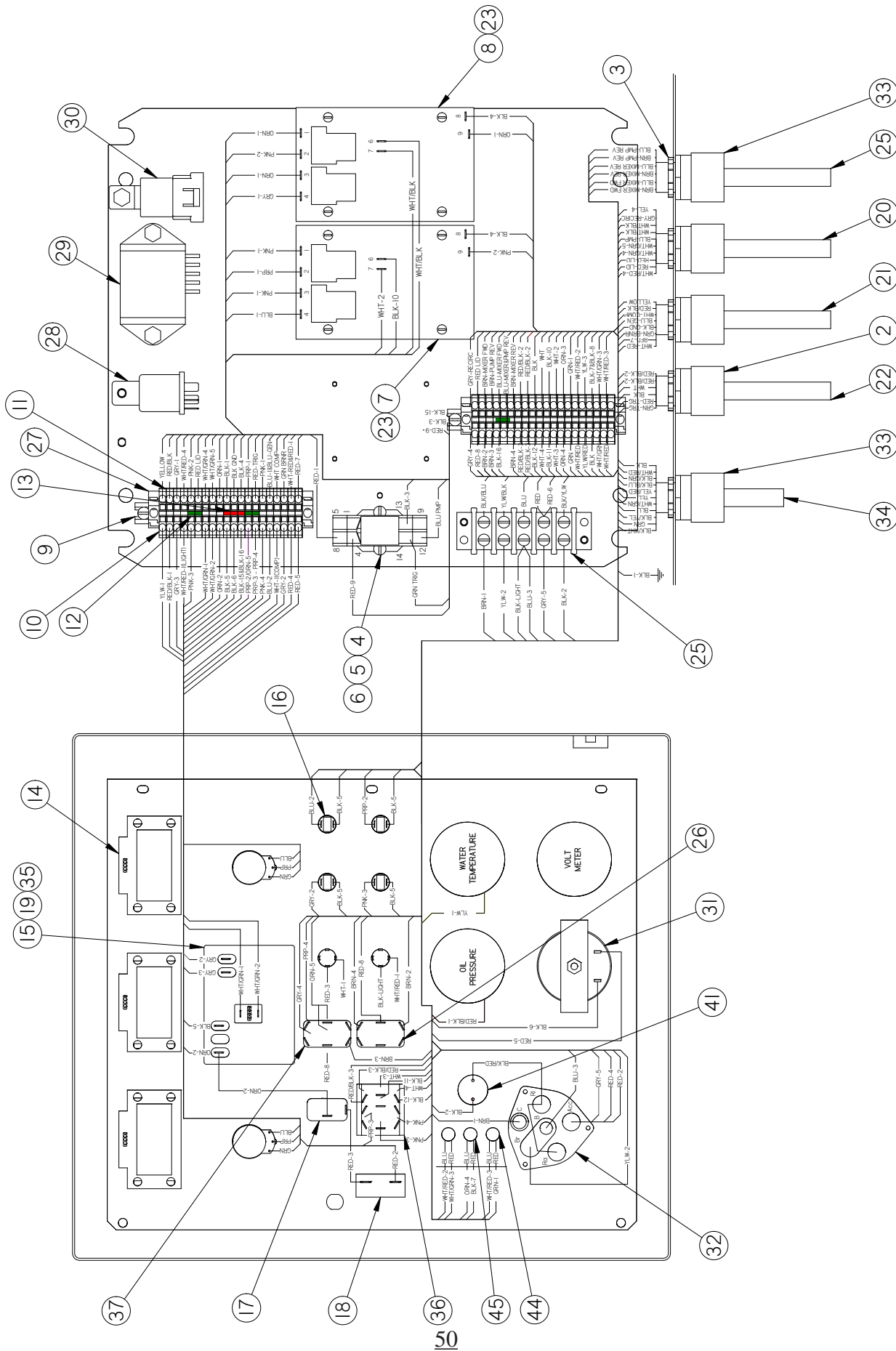




## CONTROL BOX - ELECTRIC HOSE

NUMBER	PART NUMBER	QTY.	DESCRIPTION
1	45595	1	ENCLOSURE (NOT SHOWN)
2	24024	3	CORD CONNECTOR
3	50280	5	1/2" CONDUIT NUT
4	51662	1	SOCKET - RELAY
5	51661	1	RELAY
6	51663	1	HOLD DOWN SPRING
7	51691	1	TEMPERATURE CONTROLLER, 400° / 325°
8	51672	1	TEMPERATURE CONTROLLER, 400° / 275°
9	51803	1	MOUNTING RAIL
10	51802	2	END BRACKET
11	51800	40	FEED THROUGH TERMINAL
12	51801	3	2-POLE JUMPER
13	51804	1	3-POLE JUMPER
14	50251	3	DIGITAL READOUT
15	43391	1	TEMPERATURE CONTROLLER, 150°-550°
16	51651	4	LIGHT, 12VDC
17	50719	2	TOGGLE SWITCH
18	51665	1	CIRCUIT BREAKER, 15 AMP
19	50593	3	KNOB
20	51834	1	CABLE ASSY. - SENSOR
21	51835	1	CABLE ASYSY. - POWER
22	51836	1	CABLE ASSY. - TRIGGER/SENSOR
23	51684	2	RIBBON CABLE, 36" (NOT SHOWN)
24	51670	8	SPACER, PAK-STAT
25	43984	1	CABLE ASSEMBLY, VALVE

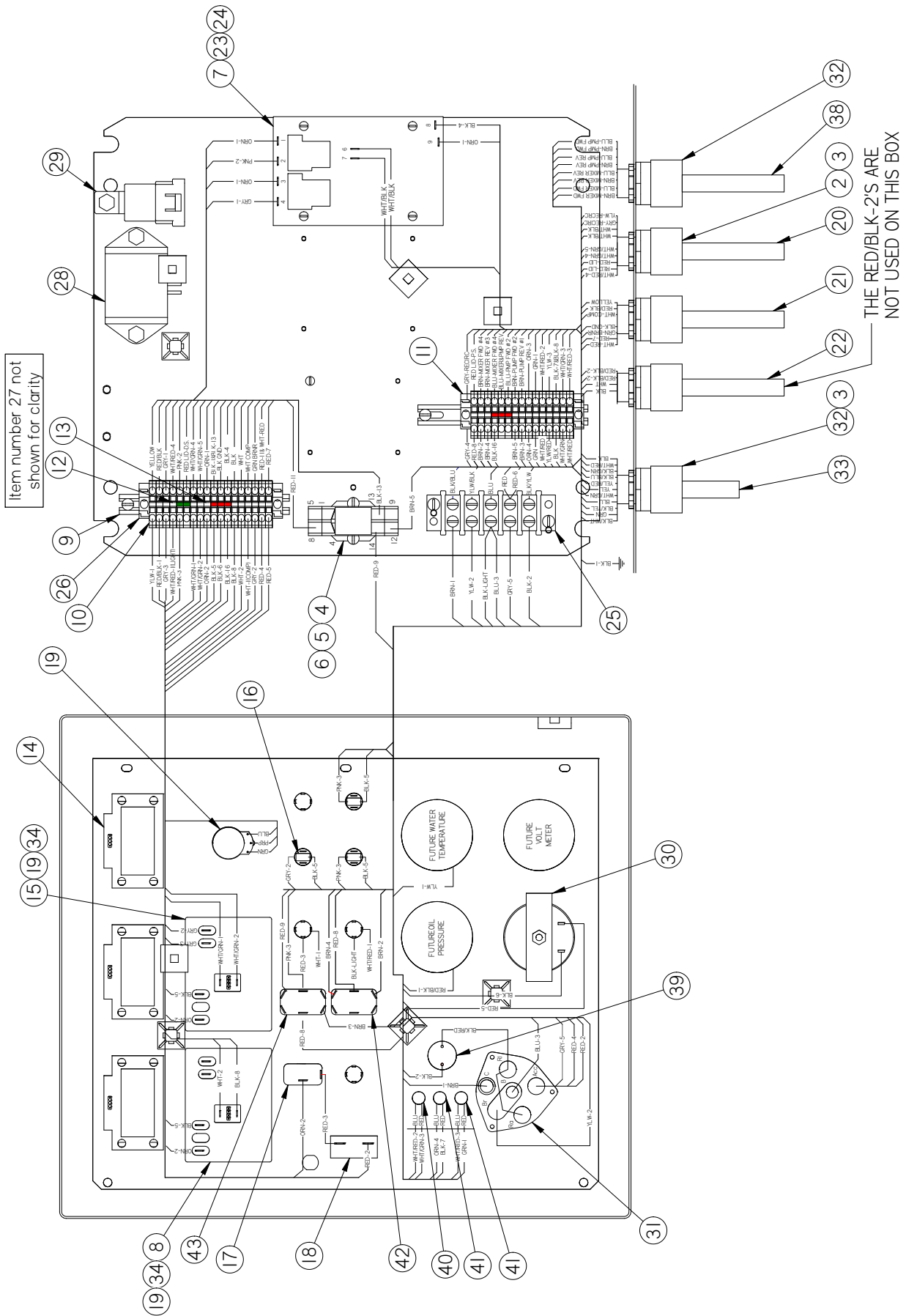
# CONTROL BOX - ELECTRIC HOSE



## CONTROL BOX - ELECTRIC HOSE

NUMBER	PART NUMBER	QTY.	DESCRIPTION
26	44993	1	MOUNTING RAIL 3 1/2" LG.
27	51805	4	END BRACKET
28	44979	2	RELAY, STARTER
29	44980	1	TIMER
30	-	1	RELAY
31	24076	1	HOUR METER
32	41994	1	IGNITION SWITCH
33	24024	1	CORD GRIP - "YELLOW"
34	44978	1	CABLE, ENGINE
35	51698	1	RIBBON CABLE - 5"
36	51811	1	SWITCH, HOSE SELECTOR
37	32522	1	SWITCH, PUMP
38	44975	OPT.	GAUGE, WATER TEMPERATURE
39	44976	OPT.	GAUGE, OIL PRESSURE
40	44977	OPT.	GAUGE, VOLT METER
41	44987	1	RESISTANCE CONTROL

# CONTROL BOX - STANDARD HOSE



## CONTROL BOX - STANDARD HOSE

NUMBER	PART NUMBER	QTY.	DESCRIPTION
1	45595	1	ENCLOSURE (NOT SHOWN)
2	24021	3	CORD CONNECTOR
3	50280	5	1/2" CONDUIT NUT
4	51662	1	SOCKET - RELAY
5	51661	1	RELAY
6	51663	1	HOLD DOWN SPRING
7	51672	1	TEMPERATURE CONTROLLER, 400° / 275°
8	43397	1	TEMPERATURE CONTROLLER, 400°
9	51803	2	MOUNTING RAIL
10	51802	2	END BRACKET
11	51800	33	FEED THROUGH TERMINAL
12	51801	1	2-POLE JUMPER
13	51804	2	3-POLE JUMPER
14	50251	3	DIGITAL READOUT
15	43391	1	TEMPERATURE CONTROLLER, 150°-550°
16	51651	2	LIGHT, 12VDC
17	50719	1	TOGGLE SWITCH
18	51665	1	CIRCUIT BREAKER, 15 AMP
19	50593	3	KNOB
20	51834	1	CABLE ASSY. - SENSOR
21	51835	1	CABLE ASYSY. - ENGINE
22	51836	1	CABLE ASSY. - TRIGGER/SENSOR
23	51684	1	RIBBON CABLE, 36" (NOT SHOWN)
24	51670	4	SPACER, PAK-STAT
25	44994	1	TERMINAL BLOCK 5-POLE



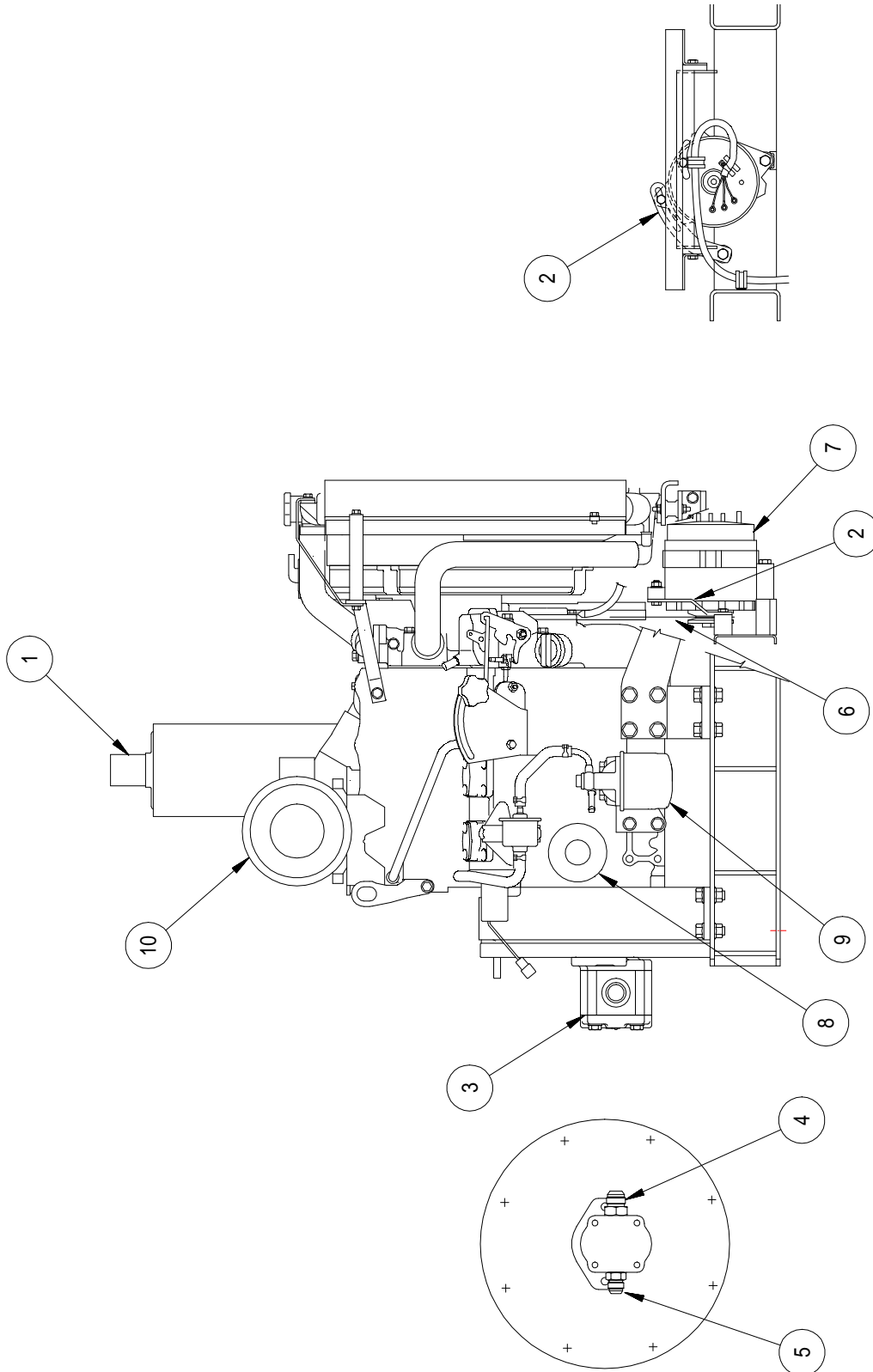
## CONTROL BOX - STANDARD HOSE

NUMBER	PART NUMBER	QTY.	DESCRIPTION
26	51805	4	END BRACKET
27	44979	2	RELAY, STARTER
28	44980	1	TIMER
29	51673	1	RELAY
30	24076	1	HOUR METER
31	44990	1	KEY AND TUMBLER
31a	41994	-	IGNITION SWITCH W/O TUMBLER
32	24024	2	CORD GRIP - "YELLOW"
33	44978	1	CABLE, ENGINE
34	51698	2	RIBBON CABLE - 5"
35	44975	OPT.	GAUGE, WATER TEMPERATURE
36	44976	OPT.	GAUGE, OIL PRESSURE
37	44977	OPT.	GAUGE, VOLT METER
38	43984	1	CABLE ASSY., VALVE
39	44987	1	RESISTANCE CONTROL
40	44989	1	LIGHT, AMBER
41	44988	2	LIGHT, RED
42	51678	2	SWITCH, DPDT
43	32522	1	SWITCH, PUMP

# ENGINE ASSEMBLY - 27.5 HP

PRESET ENGINE SPEED = 2400 RPM

HOSE GENERATOR OUTPUT = 30-35 AMPS COLD  
24 VAC 3-PHASE





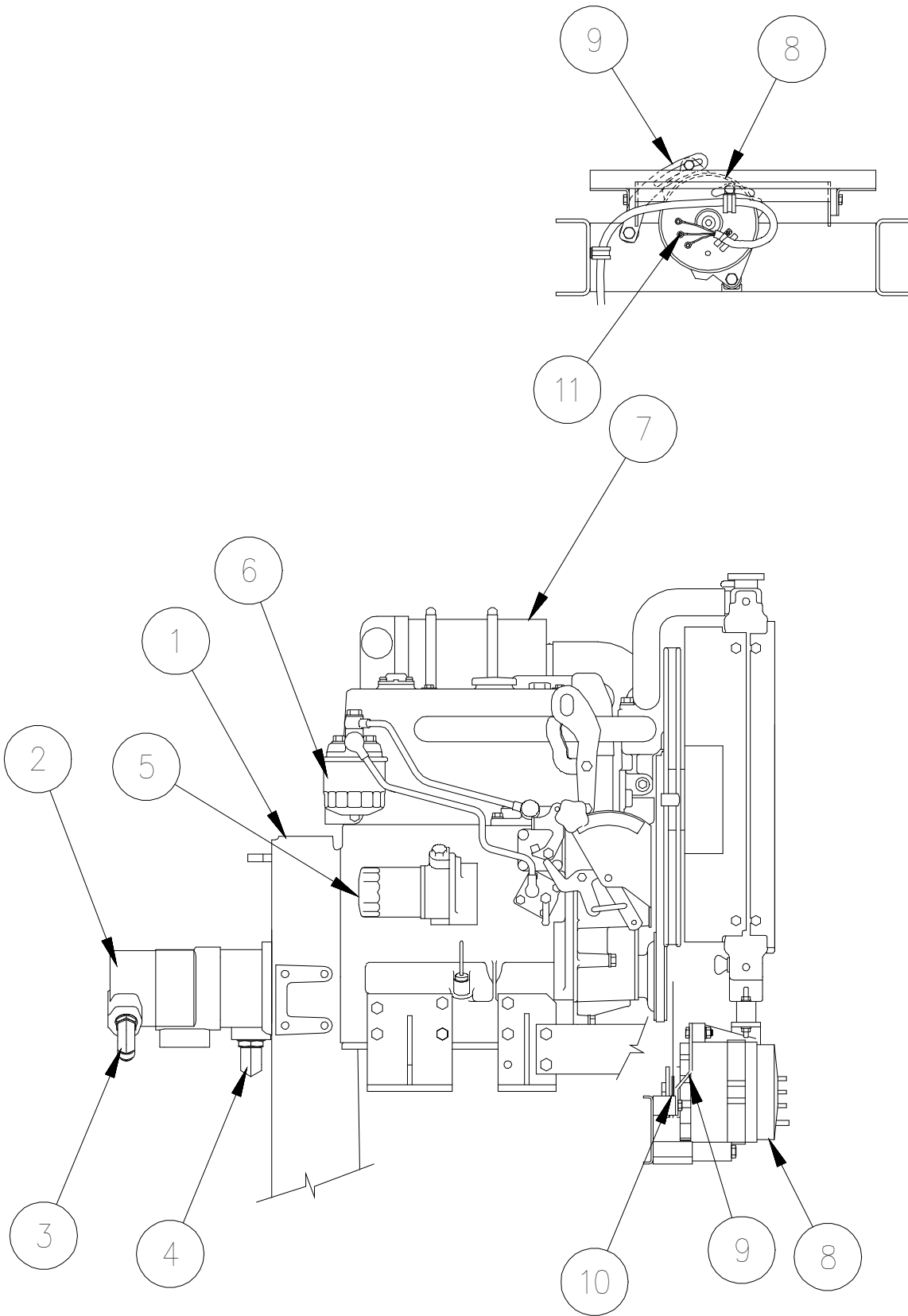
## ENGINE ASSEMBLY - 27.5 HP

NUMBER	PART NUMBER	QTY.	DESCRIPTION
1	46711	1	27.5 HP ENGINE W/ GENERATOR (EB ONLY)
1	46480	1	27.5 HP ENGINE (SB ONLY)
2	43899	1	ADJUSTMENT BRACKET, GENERATOR
3	45439	1	HYDRAULIC PUMP
4	29820	1	1" TUBE X 1 5/16-12 O-RING ADAPTER
5	29842	1	5/8 TUBE X 1 1/16-12 O-RING ADAPTOR
6	45748	1	DRIVE BELT - GENERATOR
7	43612	1	GENERATOR, 24VAC
8	45389	-	OIL FILTER
9	41867	-	FUEL FILTER
10	45391	-	AIR FILTER ELEMENT

**Note: Generator is only on model 46100EB**

**THIS ENGINE IS FOR THE FOLLOWING MACHINE MODEL NUMBERS  
46100SB AND 46100EB.**

# ENGINE ASSEMBLY - 41.6 HP

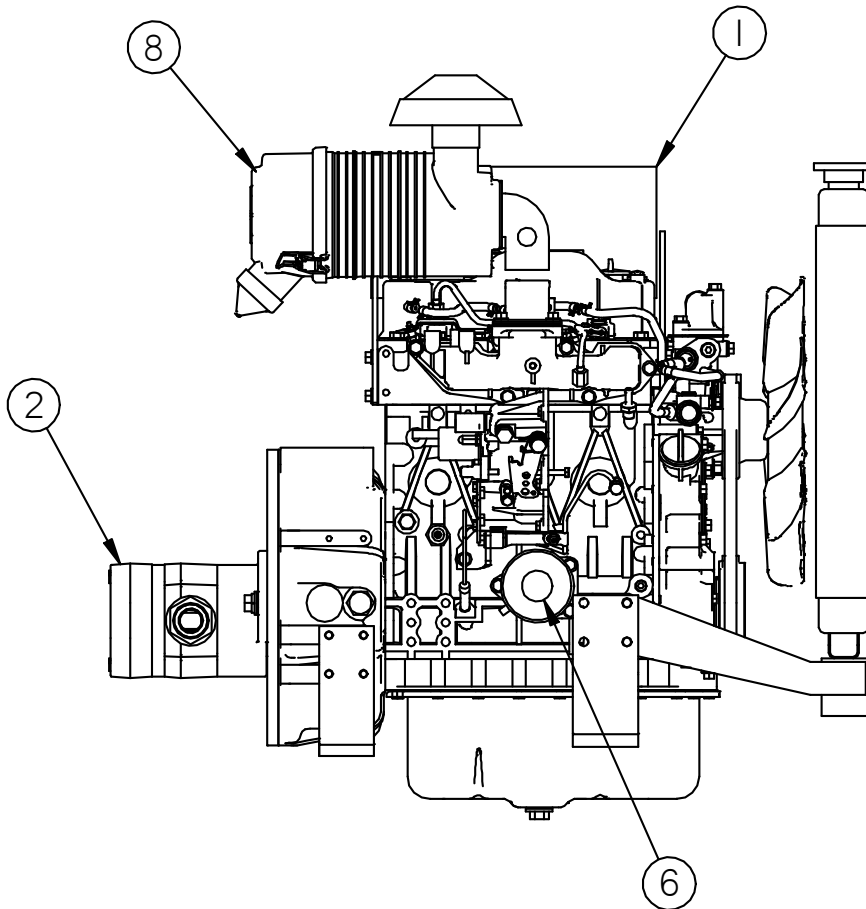
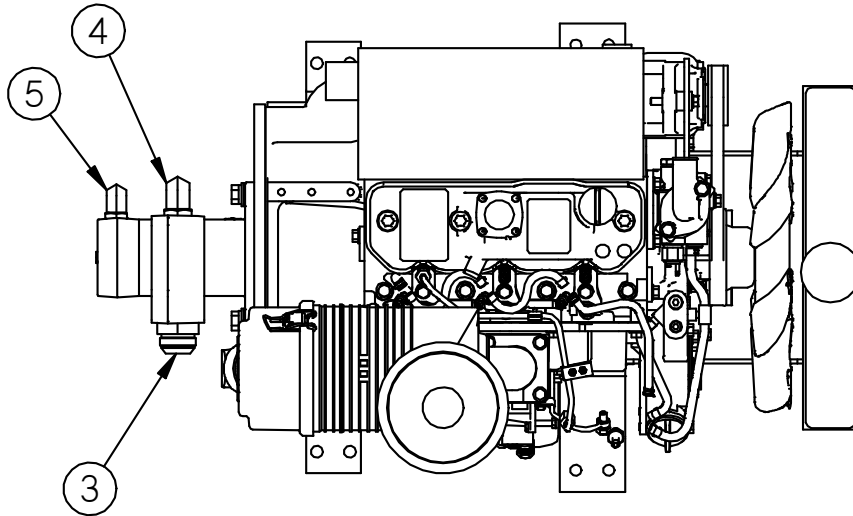


## ENGINE ASSEMBLY - 41.6 HP

NUMBER	PART NUMBER	QTY.	DESCRIPTION
1	46712	1	41.6 HP ENGINE - TURBO
2	45442	1	HYDRAULIC PUMP
3	29885	1	1 1/4" TUBE X 1 5/8-12" O-RING ADAPTER (SUCTION)
4	29842	1	5/8" TUBE X 1 1/16-12 O-RING ADAPTER (70 CFM COMP. PRESS)
4a	29862	1	5/8" TUBE X 1 1/16-12" O-RING ELBOW ADAPTER (VALVE PRESS)
5	45381	1	OIL FILTER
6	41867	1	FUEL FILTER
7	45348	1	AIR FILTER ELEMENT
8	43612	1	GENERATOR, 24VAC
9	43899	1	ADJUSTMENT BRACKET, GENERATOR
10	45748	1	DRIVE BELT, GENERATOR
11	43887	3	BOOT, TERMINAL

**THIS ENGINE IS FOR THE FOLLOWING MACHINE MODEL NUMBERS  
46100EC63.**

# ENGINE ASSEMBLY - 35.5 HP

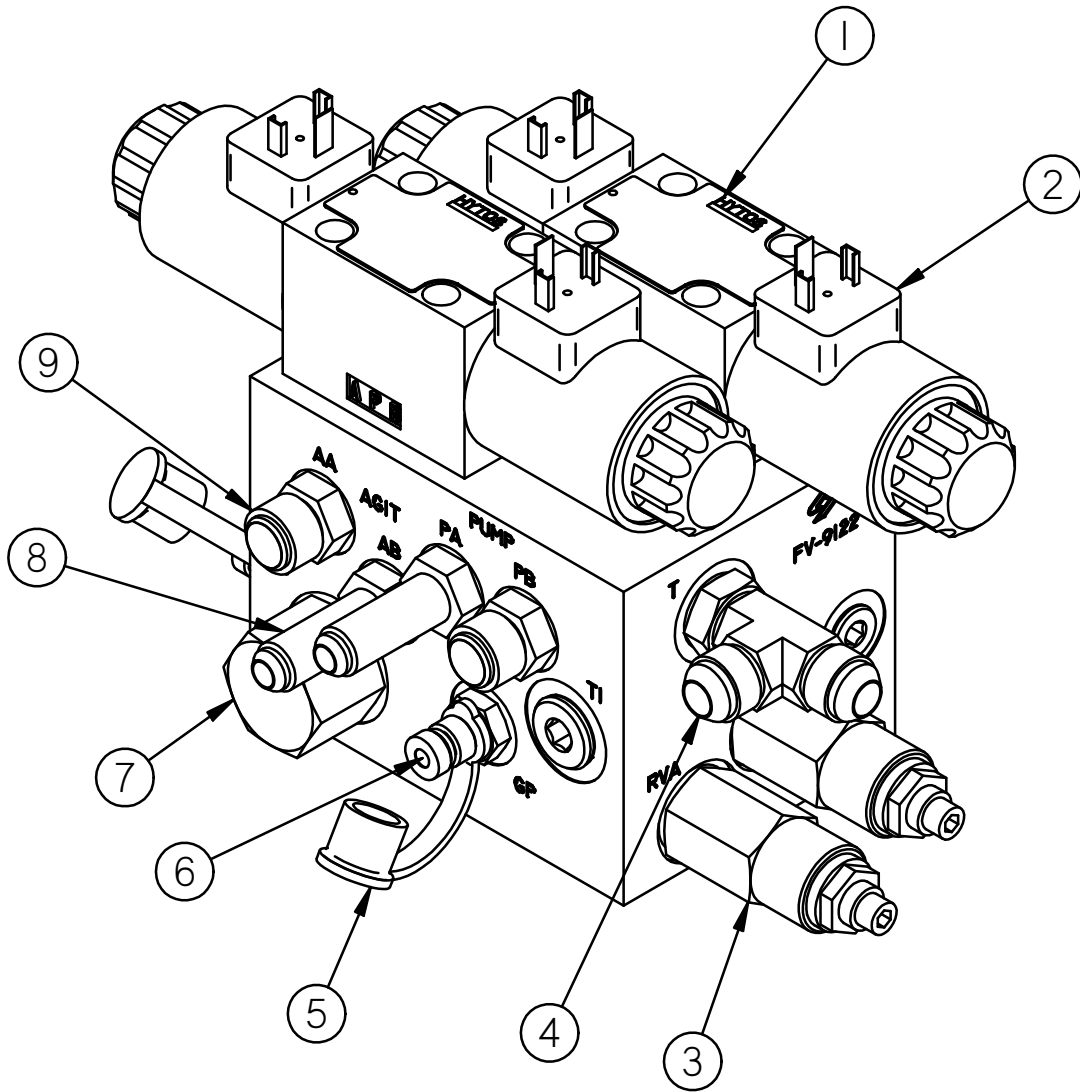


## ENGINE ASSEMBLY - 35.5 HP

NUMBER	PART NUMBER	QTY.	DESCRIPTION
1	46727	1	35.5 HP ENGINE
2	45449	1	HYDRAULIC OIL PUMP
3	29885	1	1 1/4" TUBE X 1 5/8-12" O-RING ADAPTER
4	29842	2	5/8" TUBE X 1 1/16-12" O-RING ELBOW
5	45381	1	OIL FILTER
6	41867	1	FUEL FILTER
7	45382	1	AIR FILTER ELEMENT

**THIS ENGINE IS FOR THE FOLLOWING MACHINE MODEL NUMBERS  
46100SC.**

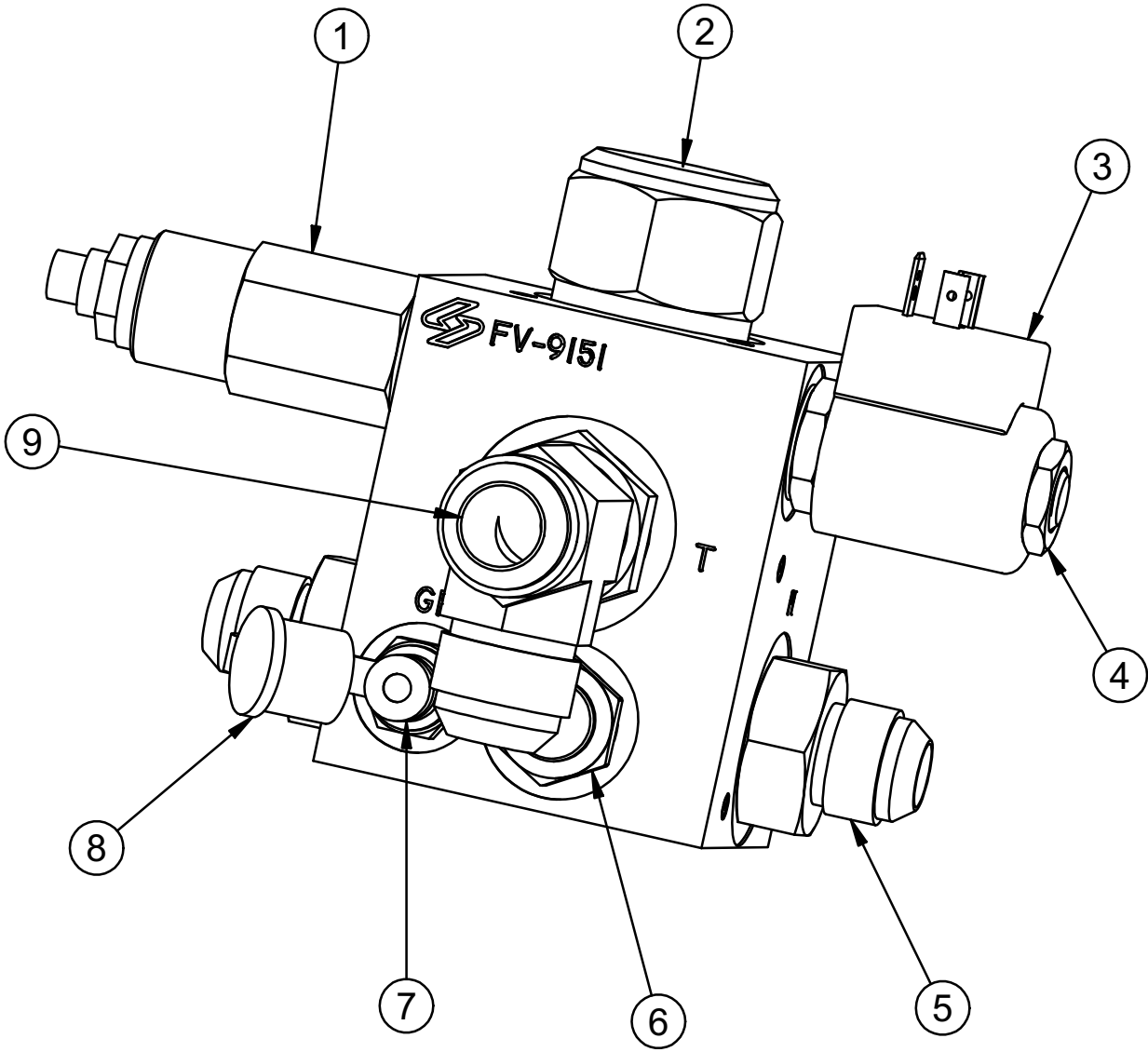
# HYDRAULIC CONTROL VALVE



## HYDRAULIC CONTROL VALVE

NUMBER	PART NUMBER	QTY	DESCRIPTION
1	45418	1	VALVE ASSEMBLY
2	45419	4	COIL, VALVE ASSEMBLY
3	45417	1	VALVE, RELIEF
4	-	1	TEE, MALE #8 ORB X #8 JIC RUN
5	45413	1	CAP, DUST
6	45414	1	FITTING, TEST POINT
7	45416	1	FLOW CONTROL, PRIORITY
8	-	2	FITTING, #6 ORB X #6 JIC LONG STRAIGHT
9	-	2	FITTING, #6 ORB X #8 JIC STRAIGHT

# COMPRESSOR VALVE ASSEMBLY

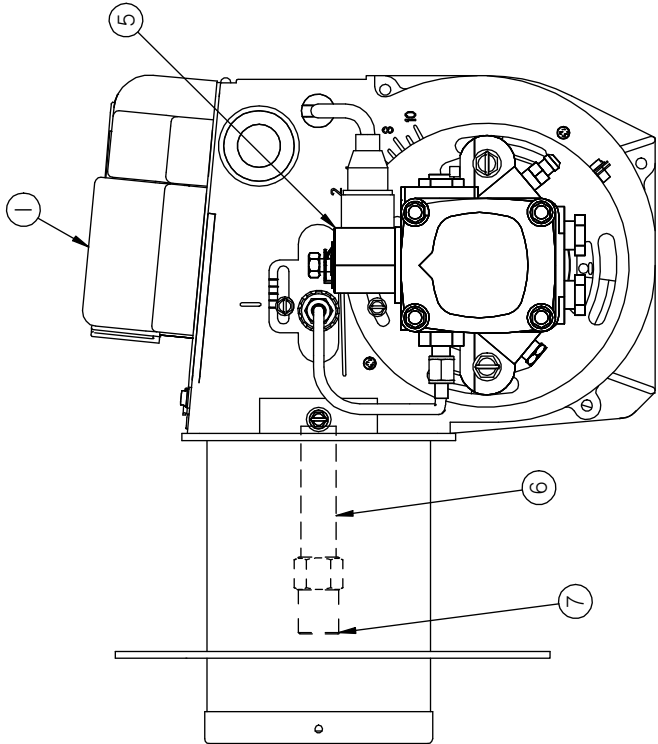
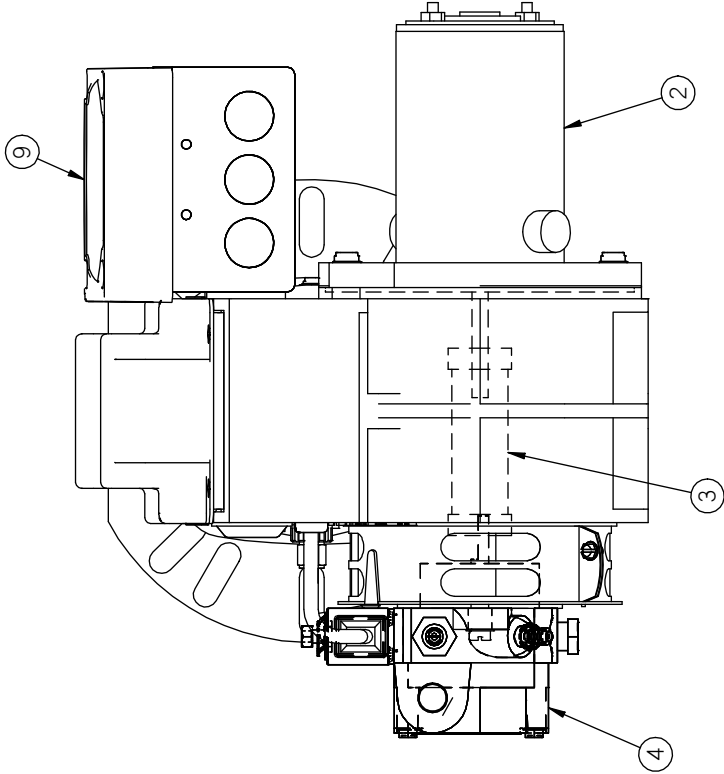




## COMPRESSOR VALVE ASSEMBLY

NUMBER	PART NUMBER	QTY	DESCRIPTION
1	45417	1	VALVE, RELIEF
2	45429	1	VALVE, LOGIC RELIEF
3	45426	1	COIL, SOLENOID VALVE
4	45424	1	VALVE, SOLENOID
5	-	2	FITTING, #12 ORB X #10 JIC STRAIGHT
6	45436	1	FLOW CONTROL, PRESSURE COMP.
7	45414	1	FITTING, TEST POINT
8	45413	1	CAP, DUST
9	-	1	TEE, #12 ORB X #12 JIC RUN

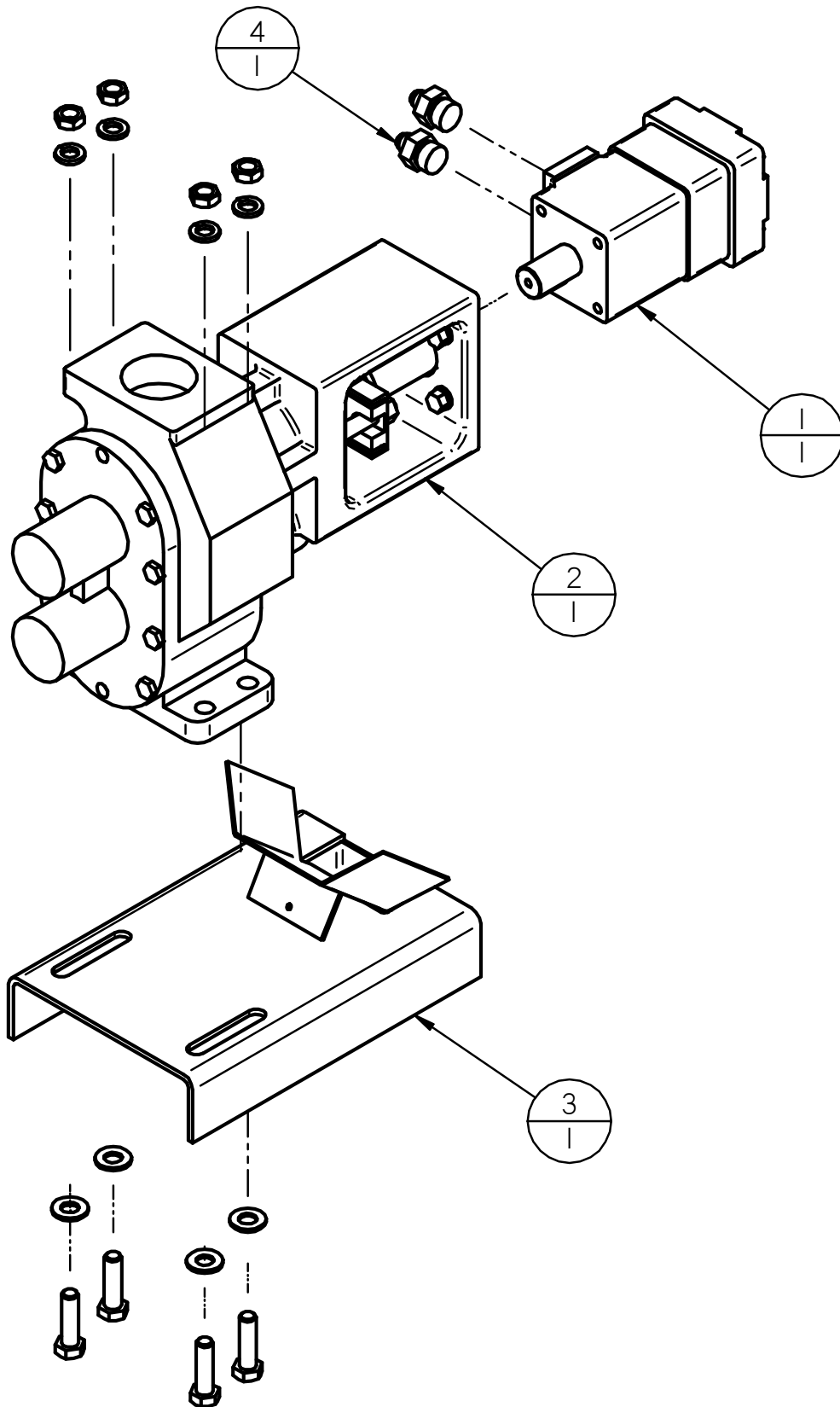
# DIESEL BURNER



## DIESEL BURNER

ITEM	PART NUMBER	QTY	DESCRIPTION
1	41949	-	IGNITION TRANSFORMER
2	41890	-	BLOWER MOTOR
3	41970	-	COUPLING - FUEL PUMP
4	41892	-	PUMP - FUEL
5	41888	-	SOLENOID - FUEL
6	41993	-	ELECTRODE
7a	41883	-	NOZZLE (SS125D, EZ500)
7b	41881	-	NOZZLE (SS250, EZ1000)
7d	44785	-	NOZZLE (EZ1500)
8	41870	-	CAD EYE (NOT SHOWN)
9	42335	-	DC CONTROLLER (NOT SHOWN)

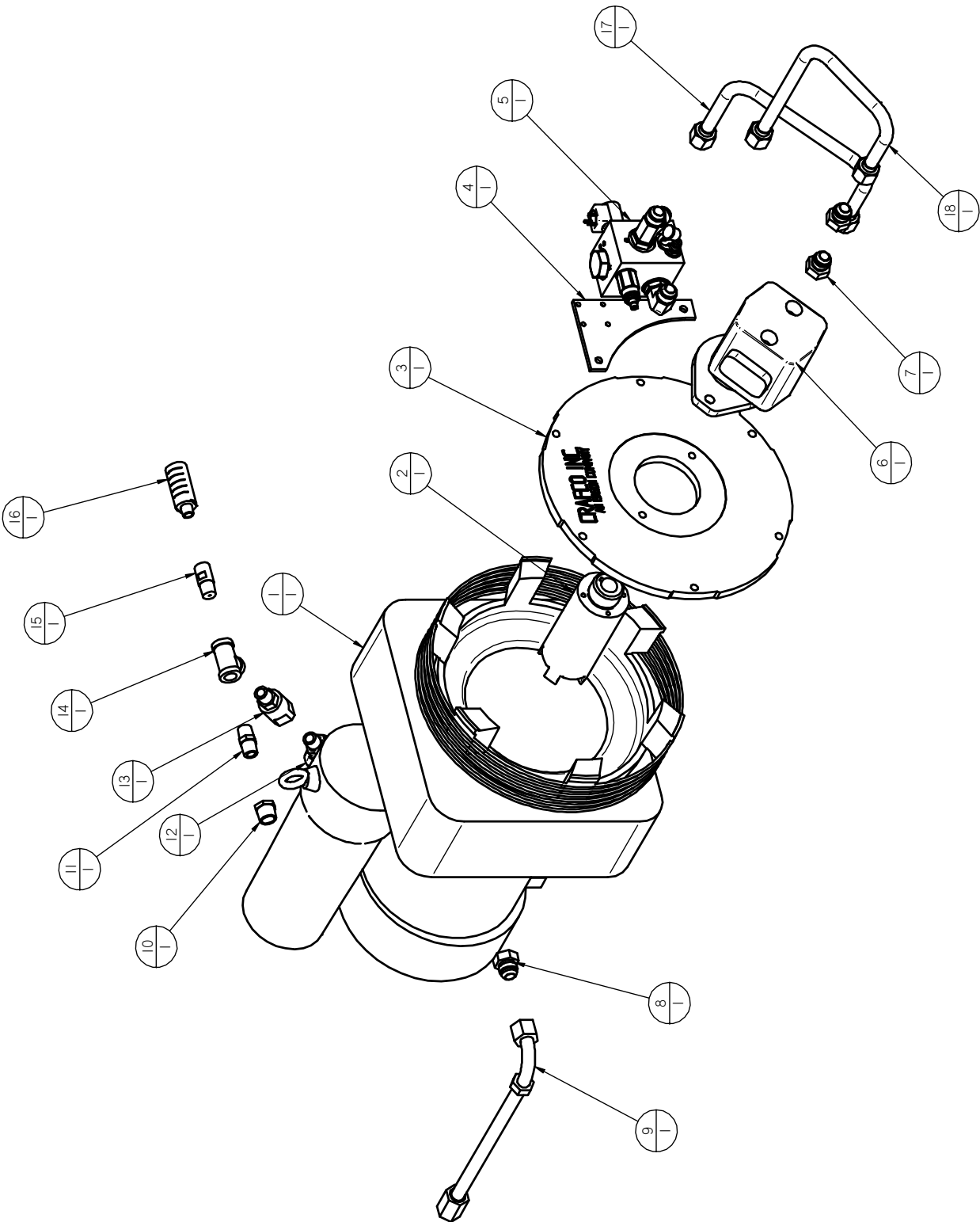
# MATERIAL PUMP ASSEMBLY



## MATERIAL PUMP ASSEMBLY

ITEM	PART NUMBER	QTY	DESCRIPTION
1	22027	1	HYDRAULIC MOTOR
2	42071	1	PUMP ASSEMBLY, NON-JACKETED
2a	29990S	1	PACKING RING (SET OF 7)
3	43129	1	MOUNTING PLATE ASSEMBLY, PUMP
4	22029	2	STRAIGHT THREAD O-RING ADAPTER

# COMPRESSOR ASSEMBLY

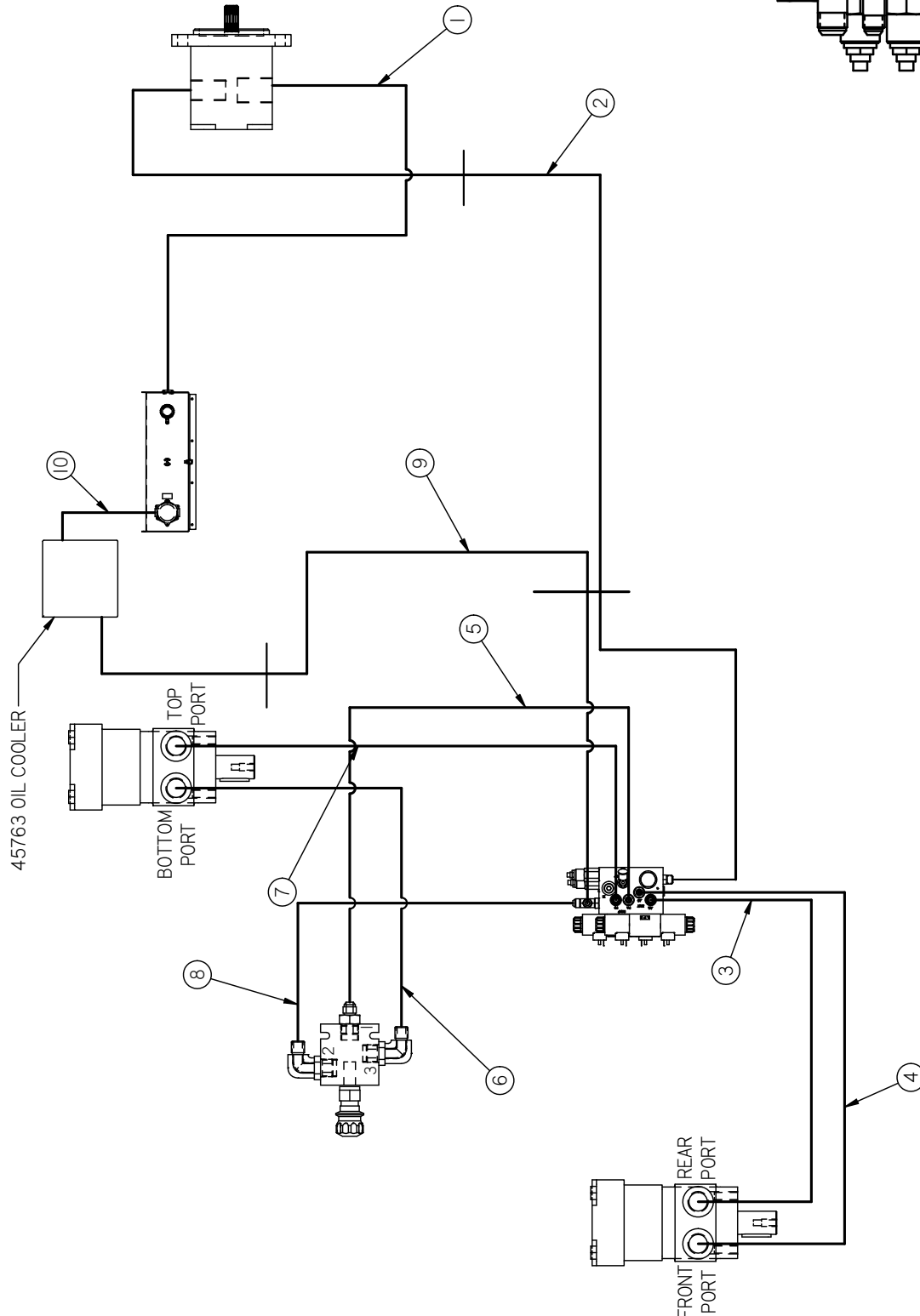
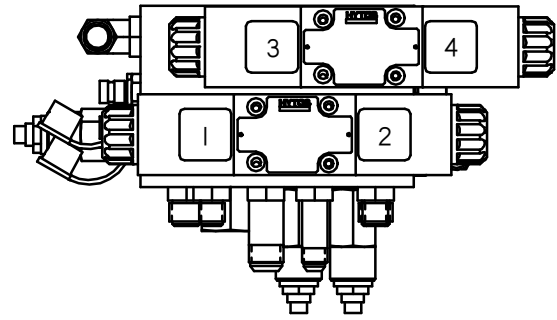


## COMPRESSOR ASSEMBLY

ITEM	PART NUMBER	QTY	DESCRIPTION
1	45320	1	COMPRESSOR, ROTARY VANE
2	45347	1	SHAFT, COMPRESSOR DRIVE
3	45346	1	PLATE, MOTOR ADAPTER
4	45327	1	MOUNTING PLATE, VALVE
5	45425	1	VALVE, HYDRAULIC
6	43874	1	MOTOR, HYDRAULIC
7	29819	2	ADAPTER, 3/4 STR. THRD. O-RING
8	45326	1	ADAPTER, #12 MBSPP X #12 MJ
9	45324	1	TUBE, SIGHT GAUGE
10	28348	1	BUSHING, 34 X 1/2 PIPE
11	51405	1	NIPPLE, 1/2NPT HEX
12	42643	1	FITTING, 1/2 NPT AIR HOSE
13	42702	1	SWIVEL, 1/2 NPT
14	28253	1	TEE, 1/2 NPT PIPE
15	45564	1	NIPPLE WITH RESTRICTOR
16	50267	1	MUFFLER. AIR
17	45476	1	COMPRESSOR RETURN LINE
18	45475	1	COMPRESSOR SUPPLY LINE

# HYDRAULIC DIAGRAM W/O COMPRESSOR

AGITATOR DIRECTION = COUNTERCLOCKWISE  
 MATERIAL PUMP DIRECTION = CLOCKWISE  
 HYDRAULIC FLOW = 10.81 GPM @ 2400 RPM  
 RELIEF VALVE (RVA) = 1000 PSI  
 RELEIF VALVE (RVP) = 1500 PSI

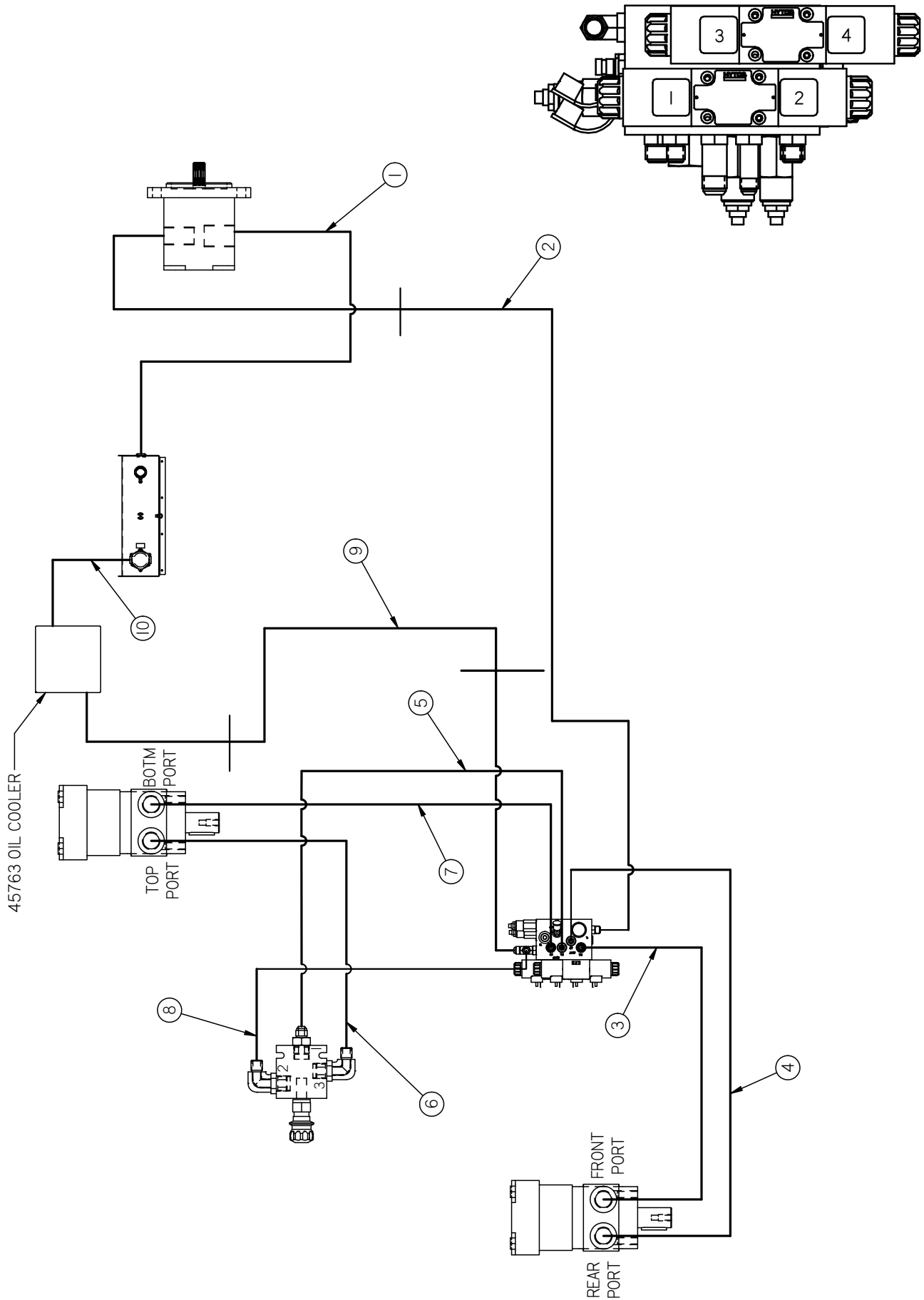




# HYDRAULIC DIAGRAM W/O COMPRESSOR

<b>1. HYDRAULIC RESERVOIR TO HYDRAULIC PUMP SUCTION</b>		
REF	29915	1 5/8-12 O-RING X 1" JIC 90° ELBOW
1	16G4H 16G-16FJX 16G-16FJX45 24 18.5	HYDRAULIC HOSE ASSEMBLY 1" X 24" LONG
REF	29820	1 5/16-12 O-RING X 1" JIC ADAPTER
<b>2. HYDRAULIC PUMP TO HYDRAULIC VALVE "P" PORT</b>		
REF	29842	1 1/16-12 O-RING X 5/8 JIC ELBOW
1	8M3K 8G-10FJX90S 8G-10FJX 22 18	HYDRAULIC HOSE ASSEMBLY 1/2 X 22" LONG
REF	29805	7/8-14 JIC BULKHEAD ADAPTER
REF	29807	7/8-14 NUT
REF	46128	TUBE, HYDRAULIC PRESSURE
1	8M3K 8G-8FJX90S 8G-10FJX 27 23.25	HYDRAULIC HOSE ASSEMBLY 1/2 X 27" LONG
1	29897	3/4-16 O-RING X 1/2 JIC ADAPTER
<b>3. HYDRAULIC VALVE "AA" TO AGITATOR MOTOR REAR PORT</b>		
REF	29919	9/16-18 O-RING X 1/2 JIC ADAPTER
1	6M3K 6G-6FJX 6G-8FJX90L 28 24.5	HYDRAULIC HOSE ASSEMBLY 3/8 X 28" LONG
1	29808	3/8 JIC X 3/8 JIC ADAPTER
REF	46777	TUBE, HYDRAULIC PRESSURE - AGITATOR
REF	22029	3/8 JIC X 7/8-14 O-RING ADAPTER
<b>4. AGITATOR MOTOR TO HYDRAULIC VALVE "AB"</b>		
REF	22029	3/8 JIC X 7/8-14 O-RING ADAPTER
REF	46778	TUBE, HYDRAULIC RETURN - AGITATOR
1	29808	3/8 JIC X 3/8 JIC ADAPTER
1	6M3K 6G-6FJX 6G-6FJX90S 26 22.75	HYDRAULIC HOSE ASSEMBLY 3/8 X 35" LONG
REF	40308	3/8 JIC X 9/16-18 O-RING ADAPTER LONG
<b>5. HYDRAULIC VALVE "PA" TO FLOW CONTROL #1 PORT</b>		
REF	40308	3/8 JIC X 9/16-18 O-RING ADAPTER LONG
1	6M3K 6G-6FJX90S 6G-8FJX 17 13.5	HYDRAULIC HOSE ASSEMBLY 3/8 X 17" LONG
REF	29896	3/4-16 O-RING X 1/2 JIC 90° ELBOW
<b>6. FLOW CONTROL #3 PORT TO PUMP MOTOR (TOP PORT)</b>		
REF	29896	3/4-16 O-RING X 1/2 JIC 90° ELBOW
1	8M3K 8G-8FJX 8G-8FJX 47 44	HYDRAULIC HOSE ASSEMBLY 1/2 X 47" LONG
REF	29913	1/2 JIC X 7/8-14 O-RING ADAPTER
<b>7. PUMP MOTOR (BOTTOM PORT) TO HYDRAULIC VALVE "PB"</b>		
REF	29913	1/2 JIC X 7/8-14 O-RING ADAPTER
1	8M3K 8G-8FJX 8G-8FJX90S 28 24.55	HYDRAULIC HOSE ASSEMBLY 1/2 X 28" LONG
REF	29919	1/2 JIC X 9/16-18 O-RING ADAPTER

# HYDRAULIC DIAGRAM W/O COMPRESSOR

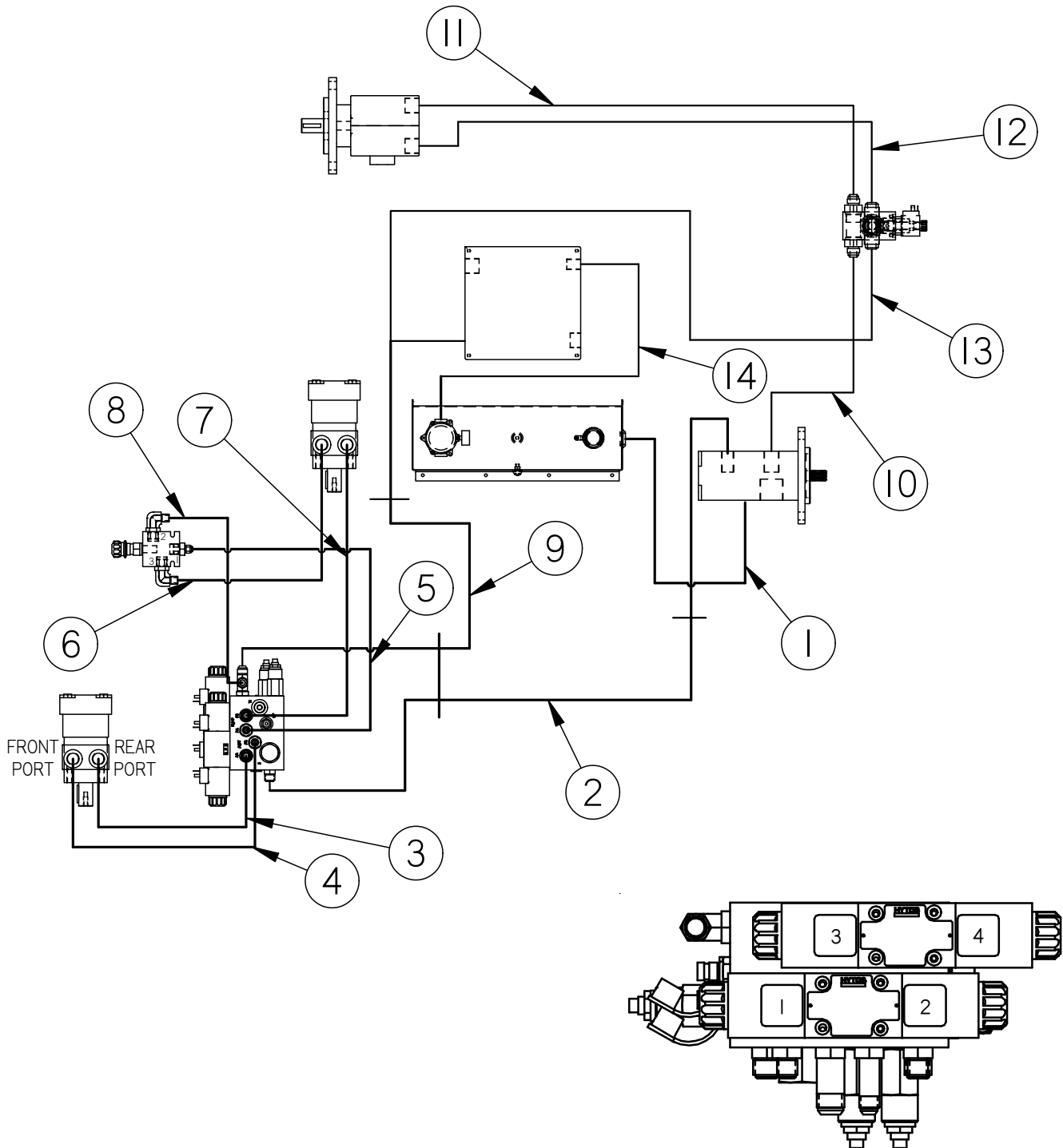


# HYDRAULIC DIAGRAM W/O COMPRESSOR

<b>8. FLOW CONTROL #2 PORT TO HYDRAULIC VALVE TANK PORT</b>		
REF	29896	3/4-16 O-RING X 1/2" TUBE ELBOW
1	8M3K 8G-8FJX 8G-8FJX90S 30 26.5	HYDRAULIC HOSE ASSEMBLY 1/2 X 30" LONG
REF	29932	3/4-16 O-RING RUN TEE
<b>9. HYDRAULIC VALVE TANK PORT TO HYDRAULIC OIL COOLER</b>		
REF	29932	3/4-16 O-RING RUN TEE
1	8M3K 8G-8FJX 8G-10FJX 21 17.75	HYDRAULIC HOSE ASSEMBLY 1/2 X 21" LONG
REF	29805	7/8-14 BULKHEAD UNION
REF	29807	7/8-14 NUT
REF	46127	TUBE, HYDRAULIC RETURN
REF	29805	7/8-14 BULKHEAD UNION
REF	29807	7/8-14 NUT
1	8M3K 8G-10FJX 8G-12FJX 24 20.5	HYDRAULIC HOSE ASSEMBLY 1/2 X 24" LONG
1	27692	1" FJIC X 3/4" MJIC
REF	29820	1 5/16-12 O-RING X 1" TUBE ADAPTER
<b>10. HYDRAULIC OIL COOLER TO HYDRAULIC TANK</b>		
REF	29824	1 5/16 ORING 90° ELBOW
1	16G4H 16G-16FJX 16G-16FJX 32 28	HYDRAULIC HOSE ASSY 1" X 32" LG
REF	29818	1 5/8-12 X 1" JIC ADAPTER

# HYDRAULIC DIAGRAM W/ COMPRESSOR

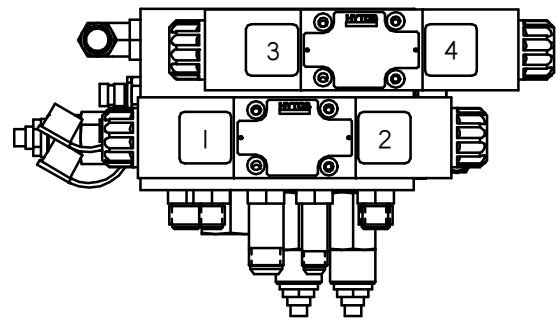
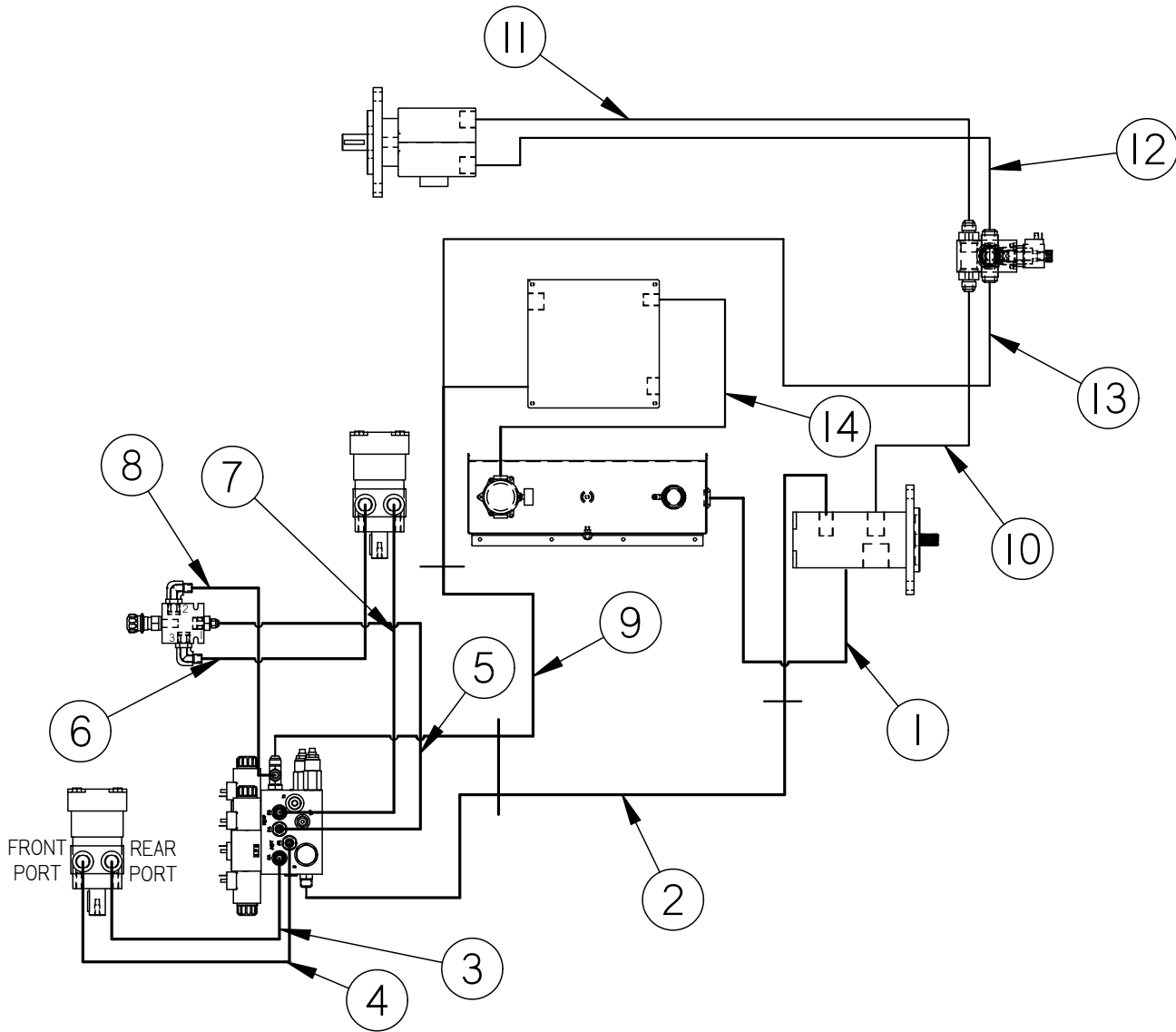
AGITATOR DIRECTION = COUNTERCLOCKWISE  
 MATERIAL PUMP DIRECTION = CLOCKWISE  
 HYDRAULIC FLOW = 16.4 GPM (63 CFM) @ 2800 RPM  
 HYDRAULIC FLOW = 10.6 GPM @ 2800 RPM  
 RELIEF VALVE (RVA) = 1000 PSI  
 RELEIF VALVE (RVM) = 1500 PSI  
 COMPRESSOR RELIEF = 2500 PSI



# HYDRAULIC DIAGRAM W/ COMPRESSOR

<b>1. HYD. RESERVOIR TO TANDEM HYD. PUMP (SUCTION)</b>		
1	29885	1 5/8-12 O-RING X 1 1/4" JIC ADAPTER
1	20G4H 20G-20FJX45 20G-20FJX 23 16.75	HYD. HOSE 1 1/4 X 23" LG
1	29888	1 5/8-12 X O-RING X 1 1/4 JIC 45° ELBOW
<b>2. TANDEM HYD. PUMP TO HYDRAULIC VALVE ("P" PORT)</b>		
1	29842	1 1/16-12 O-RING x 5/8 JIC ELBOW
1	8M3K 8G-10FJX 8G-10FJX 20 16.5	HYD. HOSE ASSY. 1/2 X 20" LG
1	29805	7/8-14 JIC BULKHEAD ADAPTER
1	29807	7/8-14 NUT
1	46128	TUBE, HYDRAULIC PRESSURE
1	29805	7/8-14 JIC BULKHEAD ADAPTER
1	29807	7/8-14 NUT
1	8M3K 8G-8FJX90S 8G-10FJX 26 22	HYD. HOSE ASSY. 1/2 X 26" LG
1	29896	3/4-16 O-RING X 1/2 JIC 90° ELBOW
<b>3. HYDRAULIC VALVE "AA" TO AGITATOR MOTOR (REAR PORT)</b>		
1	29919	9/16-18 O-RING X 1/2 JIC
1	6M3K 6G-6FJX 6G-8FJX90L 28 24.5	HYD. HOSE ASSY. 3/8 X 28" LG
1	29808	3/8 JIC UNION
1	46113	TUBE, HYDRAULIC PRESSURE - AGITATOR
1	22029	3/8 JIC X 7/8-14 O-RING
<b>4. AGITATOR MOTOR (FRONT PORT) TO HYDRAULIC VALVE "AB"</b>		
1	22029	3/8 JIC X 7/8-14 O-RING
1	46114	TUBE, HYDRAULIC RETURN - AGITATOR
1	29808	3/8 JIC UNION
1	6M3K 6G-6FJX 6G-6FJX90S 26 22.75	HYD. HOSE ASSY. 3/8 X 26" LG
1	40308	9/16-18 O-RING X 3/8 JIC LONG
<b>5. HYDRAULIC VALVE "PA" TO FLOW CONTROL (#1 PORT)</b>		
1	40308	9/16-18 O-RING X 3/8 JIC LONG
1	6M3K 6G-6FJX90S 6G-8FJX 17 13.5	HYD. HOSE ASSY. 3/8 X 17" LG
1	29896	3/4-16 O-RING X 1/2 JIC 90° ELBOW
<b>6. FLOW CONTROL (#3 PORT) TO PUMP MOTOR (TOP PORT)</b>		
1	29896	3/4-16 O-RING X 1/2 JIC 90° ELBOW
1	8M3K 8G-8FJX 8G-8FJX 47 44	HYD. HOSE ASSY. 1/2 X 47" LG
1	29913	1/2 JIC X 7/8-14 O-RING

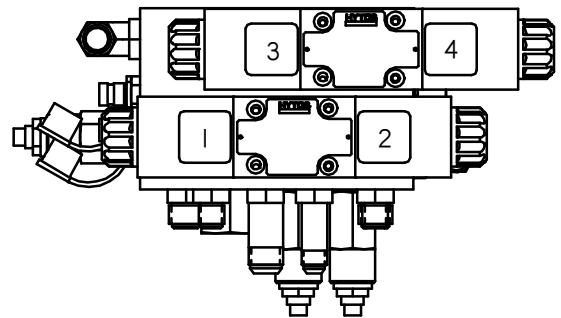
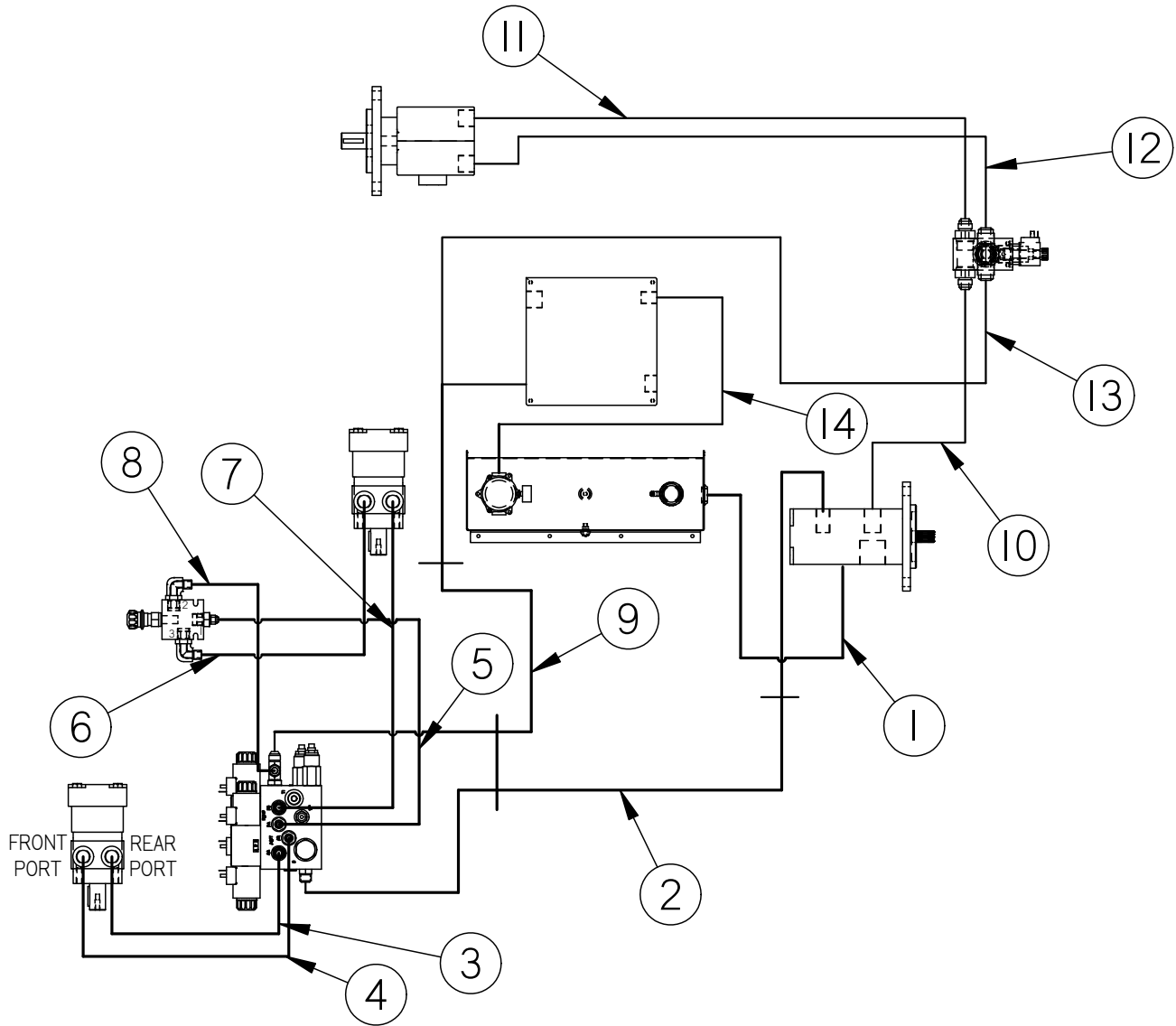
# HYDRAULIC DIAGRAM W/ COMPRESSOR



# HYDRAULIC DIAGRAM W/ COMPRESSOR

<b>7. PUMP MOTOR (BOTTOM PORT) TO HYDRAULIC VALVE (TOP PORT)</b>		
1	29913	1/2 JIC X 7/8-14 O-RING
1	8M3K 8G-8FJX 8G-8FJX90S 28 24.5	HYD. HOSE ASSY. 1/2 X 28" LG
1	29919	9/16-18 O-RING X 1/2 TUBE
<b>8. FLOW CONTROL (#2 PORT) TO HYDRAULIC VALVE ("T" PORT)</b>		
1	29896	3/4-16 O-RING X 1/2 JIC ADAPTER
1	8M3K 8G-8FJX 8G-8FJX90S 30 26.75	HYD. HOSE ASSY. 1/2 X 30" LG
1	29932	3/4-16 O-RING RUN TEE
<b>9. HYDRAULIC VALVE ("T" PORT) TO HYDRAULIC OIL COOLER</b>		
1	29932	3/4-16 O-RING RUN TEE
1	8M3K 8G-8FJX 8G-10FJX 19 15.75	HYD. HOSE ASSY. 1/2 X 19" LG
1	29805	5/8 JIC BULKHEAD ADAPTER
1	29807	7/8-14 NUT
1	46127	TUBE, HYDRAULIC RETURN
1	29805	5/8 JIC BULKHEAD ADAPTER
1	29807	7/8-14 NUT
1	8M3K 8G-10FJX 8G-12FJX 22 18.5	HYD. HOSE ASSY. 1/2 X 22" LG
1	27692	REDUCER, 1" FJIC X 3/4 MJIC
1	29951	1 5/16-12 O-RING RUN TEE
<b>10. HYDRAULIC PUMP PRESS. TO COMP. VALVE</b>		
1	29842	1 1/16-12 O-RING X 5/8 JIC ELBOW ADAPTER
1	10M3K 10G-12FJX 10G-10FJX90S 38 34.25	HYD. HOSE ASSY. 5/8 X 38" LG
1	29821	1 1/16-12 O-RING X 5/8 JIC
<b>11. HYDRAULIC VALVE TO COMP. MOTOR</b>		
1	29821	1 1/16-12 O-RING X 5/8 JIC
1	45475	COMPRESSOR SUPPLY LINE.
1	29819	1 1/16-12 O-RING X 3/4 JIC ADAPTER
<b>12. COMP. MOTOR TO COMP. VALVE</b>		
1	29819	1 1/16-12 O-RING X 3/4 JIC ADAPTER
1	45476	COMPRESSOR RETURN LINE
1	29900	1 1/16-12 O-RING X 3/4 JIC RUN TEE

# HYDRAULIC DIAGRAM W/ COMPRESSOR





## HYDRAULIC DIAGRAM W/ COMPRESSOR

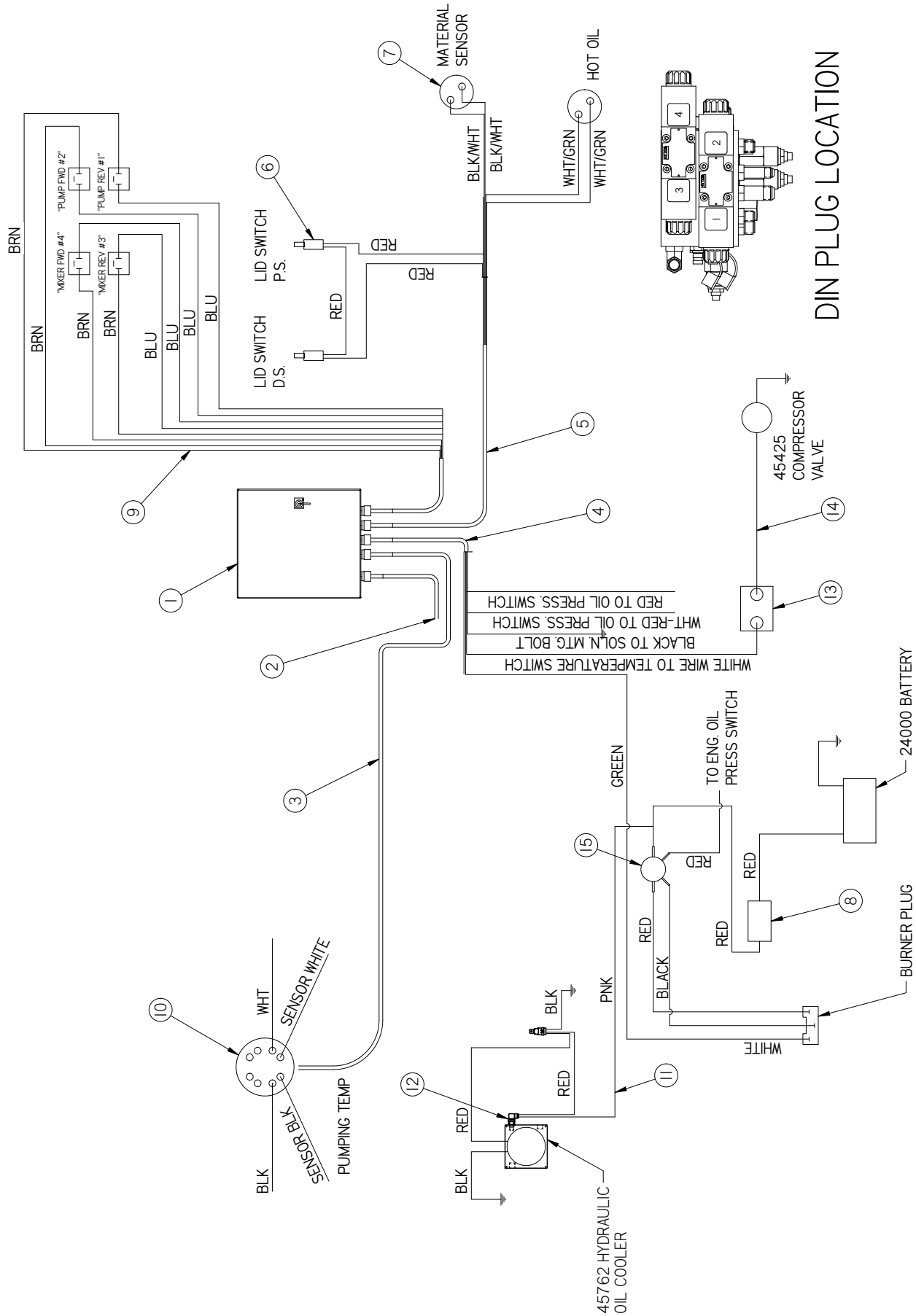
<b>13. COMP. VALVE TO HYDRAULIC OIL COOLER</b>		
1	29900	1 1/16-12 O-RING RUN TEE
1	16G4H 16G-12FJX 16G-16FJX90S 75 68.5	HYD. HOSE ASSY. 1" X 75" LG
1	29951	1 5/16-12 O-RING X 1" JIC RUN TEE
<b>14. HYDRAULIC OIL COOLER TO HYDRAULIC TANK</b>		
1	29824	1 5/16-12 O-RING X 1" TUBE 90° ELBOW
1	16G4H 16G-16FJX 16G-16FJX 33 29	HYD. HOSE ASSY. 1" X 33" LG
1	29818	1 5/8-12 O-RING X 1" TUBE ADAPTER



## ELECTRICAL SCHEMATIC - ELECTRIC HOSE

ITEM	PART NUMBER	QTY	DESCRIPTION
1	46620	1	CONTROL BOX ASSY. COMPLETE
2	44978	1	WIRING HARNESS, ENGINE
3	51836	1	CABLE ASSY., TRIGGER/SENSOR
4	51835	1	CABLE ASSY., ENGINE
5	51834	1	CABLE ASSY.,SENSOR
6	39608	2	LID SWITCH
7	43465	2	SENSOR, RTD
8	46791	1	JUNCTION BOX, HOSE
9	31512	1	CIRCUIT BREAKER
10	43612	1	GENERATOR
11	43984	1	CABLE ASSY., VALVE
12	56940	1	SENSOR, RTD - PUMPING TEMPERATURE
13	43947	1	CABLE ASSY., HOSE
14	45569	1	WIRING HARNESS, OIL COOLER
15	45542	1	SWITCH, TEMPERATURE - OIL COOLER
16	45349	1	SWITCH, TEMPERATURE - COMPRESSOR
17	43886	1	CABLE ASSY., COMPRESSOR VALVE
18	39602	1	SOLENOID, FRAME

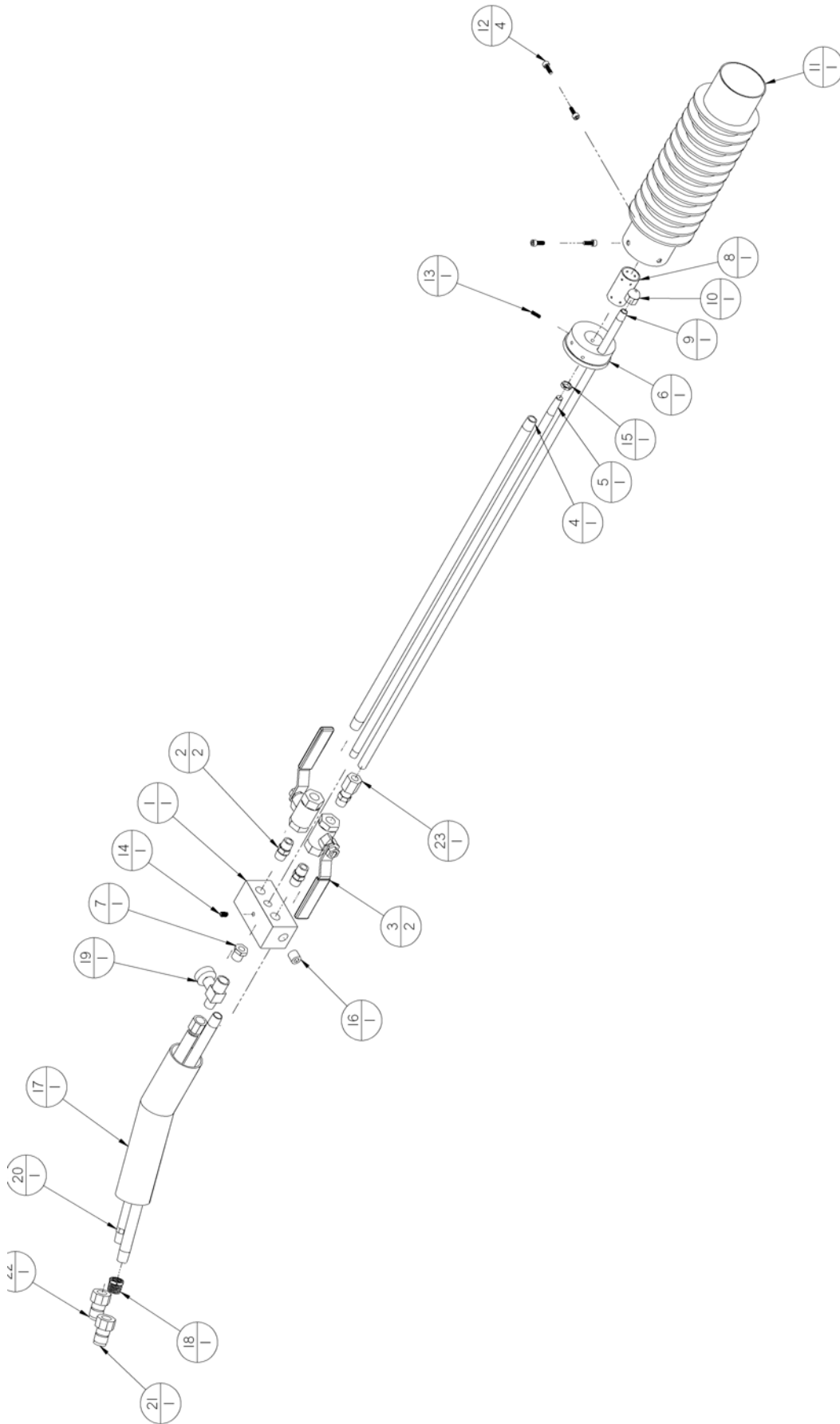
# ELECTRICAL SCHEMATIC - STANDARD HOSE



## ELECTRICAL SCHEMATIC - STANDARD HOSE

ITEM	PART NUMBER	QTY	DESCRIPTION
1	46715	1	CONTROL BOX ASSY. COMPLETE
2	44978	1	WIRING HARNESS, ENGINE
3	51836	1	CABLE ASSY., TRIGGER/SENSOR
4	51835	1	CABLE ASSY., ENGINE
5	51834	1	CABLE ASSY.,SENSOR
6	39608	2	LID SWITCH
7	43465	2	SENSOR, RTD
8	31512	1	CIRCUIT BREAKER
9	43984	1	CABLE ASSY., VALVE
10	56940	1	SENSOR, RTD - PUMPING TEMPERATURE
11	45569	1	WIRING HARNESS, OIL COOLER
12	45542	1	SWITCH, TEMPERATURE - OIL COOLER
13	45349	1	SWITCH, TEMPERATURE - COMPRESSOR
14	43886	1	CABLE ASSY., COMPRESSOR VALVE
15	39602	1	SOLENOID, FRAME

# HOT AIR LANCE (OPTION)



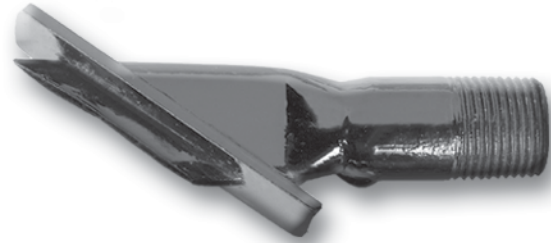
## HOT AIR LANCE (OPTION)

ITEM	PART NUMBER	QTY.	DESCRIPTION
1	45651	1	MIXING BLOCK
2	51401	2	NIPPLE, 1/4 NPT HEX
3	29195	2	VALVE, 1/4" BALL
4	45656	1	AIR MIXER TUBE
5	45658	1	PROPANE TUBE W / ORFICE
6	45652	1	BURNER BASE
7	28340	1	BUSHING, 1/4 X 1/8 REDUCER
8	45654	1	PRIMARY BURNER TUBE
9	45657	1	AIR LANCE TUBE
10	45668	1	AIR ORFICE "A" - .125"
11	45653	1	MAIN BURNER TUBE
12	45670	4	SCREW, #10-32 X 1/2" ALLEN HD.
13	45672	1	SCREW, #10-32 X 1/2" ALLEN SET
14	45671	1	SCREW, 1/4-20 X 3/8" ALLEN SET
15	45669	1	NUT, 1/8-27 JAM
16	27990	1	PLUG, 1/4" COUNTERSUNK
17	45655	1	HANDLE ASSEMBLY
18	45663	1	BUSHING, 3/8 NPT X 1/4 NPT REDUCER
19	45659	1	VALVE, NEEDLE
20	45675	1	HOSE ASSY., PROPANE
21	45679	1	COUPLING, 1/4FPT X M
22	45681	1	COUPLING, 1/4 NPT X FM
23	45664	1	FITTING, 1/4 NPT X 3/8 TUBE FERULE LOCK

## TOOLS AND ACCESSORIES



**CrafcO Applicator Disk**  
27162 - 3" Disk Assembly  
27163 - 4" Disk Assembly  
27164 - 6" Disk Assembly



**CrafcO Sealing Foot / Protruded**  
27159 - 1/4" Protruding  
27160 - 3/8" Protuding



**CrafcO Joint Sealing Tip**  
27146 - 1/4" Sealing Tip  
27147 - 3/8" Sealing Tip



**CrafcO Swivel Disk Applicator**  
27120 - 3" Swivel Applicator  
27130 - 4" Swivel Applicator



**CrafcO Round Sealing Tip**  
27170 - 3/8" Sealing Tip  
27171 - 1/2" Sealing Tip



**CrafcO Sealing Foot / Flushr**  
27154 - 1/4" Flush  
27155 - 3/8" Flush



**CrafcO Cold Air Lance - 46648**



## TOOLS AND ACCESSORIES



**Crafcro Heavy Duty Squeegee with Aluminum Handle - 27199**

27195 - Replacement Blade

**Crafcro Heavy Duty Squeegee with Aluminum Handle - 27245**

27241 - Replacement Blade



**Crafcro Pour Pot with Wheels - 40200**



**Super Shot Drip Stopper**

Use with 50270 Duckbill

27114 - Tip Adapter

27115 - Shroud, Tip Adapter



**Crafcro Hand Held Pour Pot - 40201**

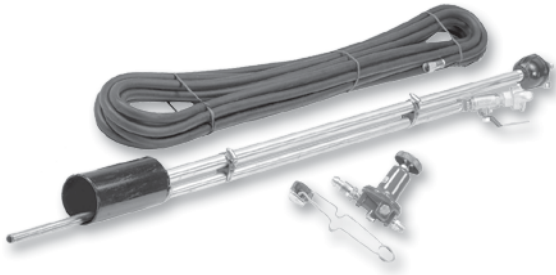


**Crafcro Duckbill - 50270**



**Crafcro Heat Lance - 31370**

## TOOLS AND ACCESSORIES



**Crafcro Heat Lance with Regulator and Attachments - 32259**



**Crafcro Hand Torch w/ 20ft. Hose - 25012**





©Copyright 2014 Crafcro, Inc.